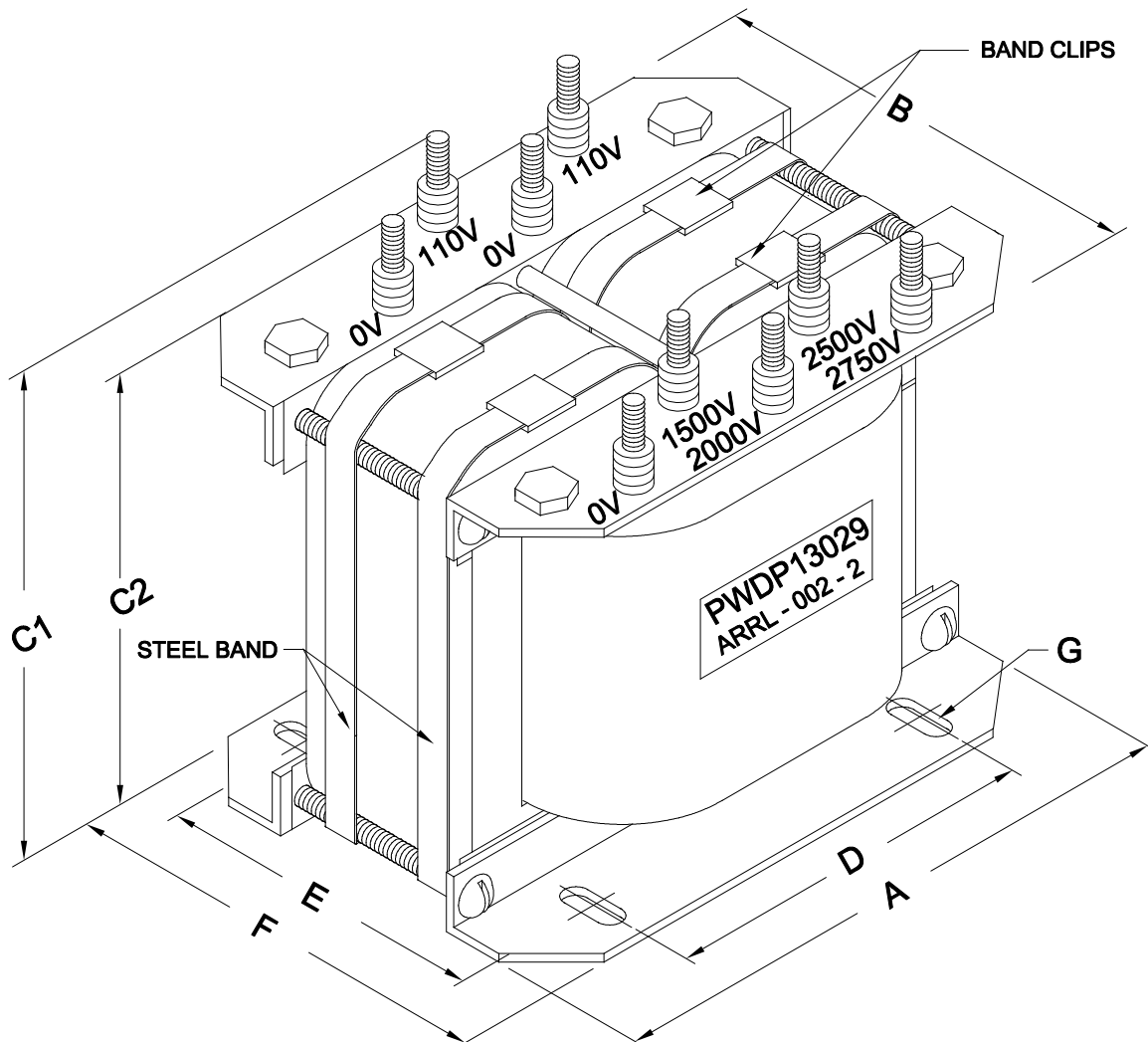
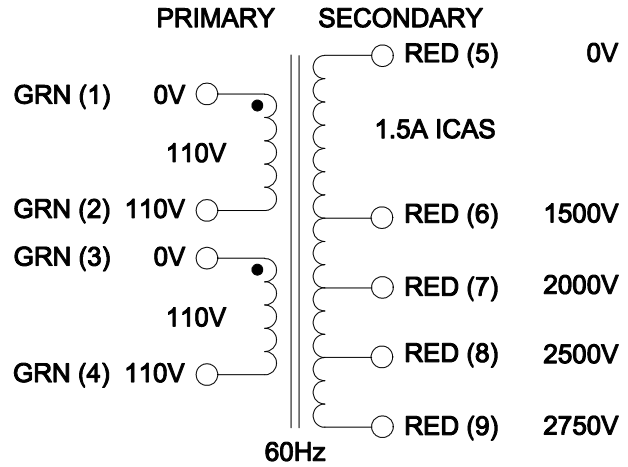


DIMENSIONS:	
A	8.000" ±0.063
B	7.813" ±0.250
C1	8.625" ±0.125
C2	7.125" ±0.125
D	5.500" ±0.125
E	3.937" ±0.063
F	4.813" ±0.063
G	0.281" X 0.563" ±0.015



**ELECTRONIC DIVISION**  
 52 RANKIN PLACE,  
 WATERLOO, ONTARIO, N2J 3Z5  
 PH # (519) 886-6181  
 FAX # (519) 886-9540

TITLE  
**PWDP13029**

NO	DATE	REVISION	DWG. BY
0	05/21/14	RELEASED.	C.I. CORINA ILIE
			DATE 05/12/14
			DIM IN( )MM( )

EDBPWDP13029