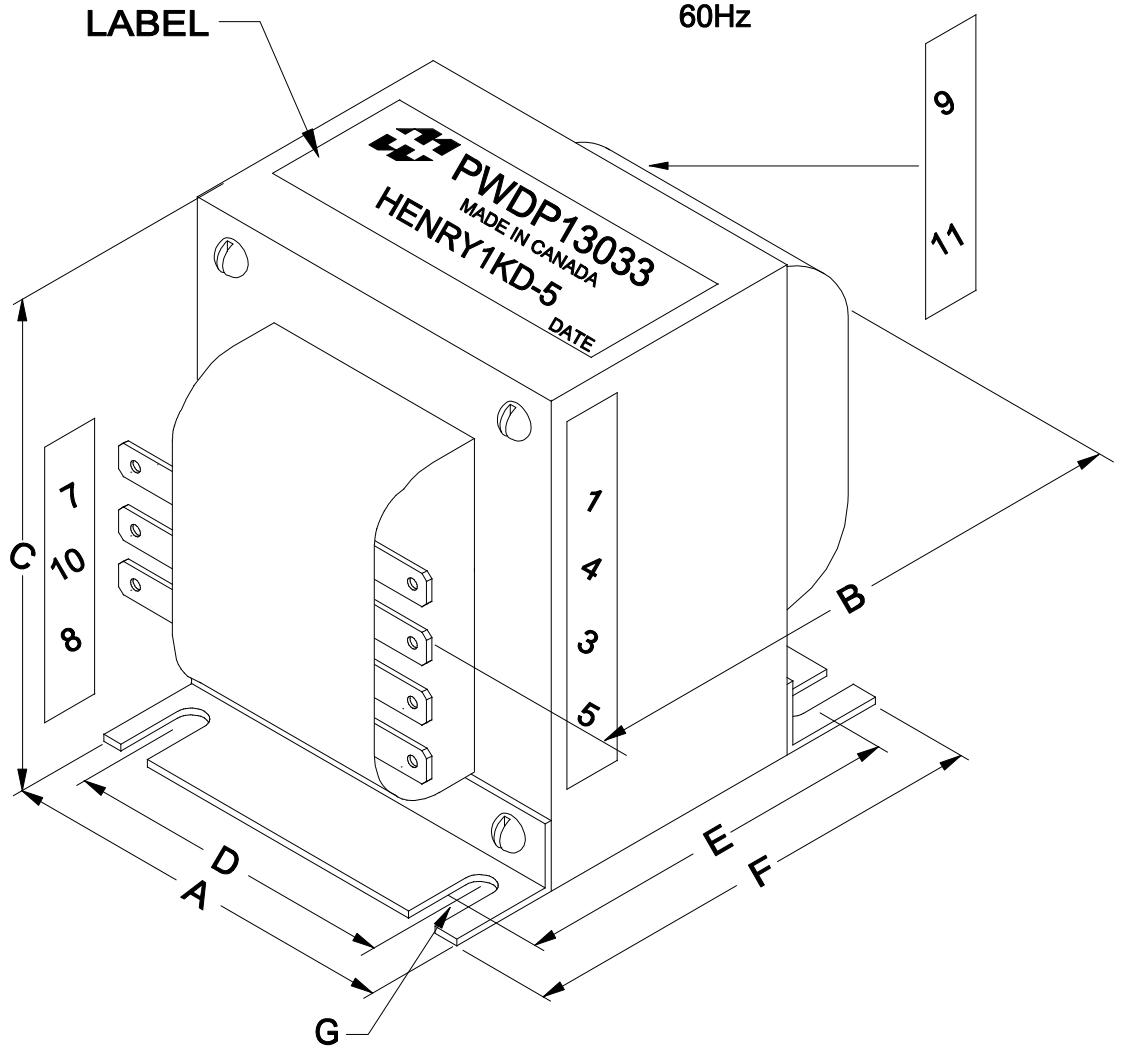
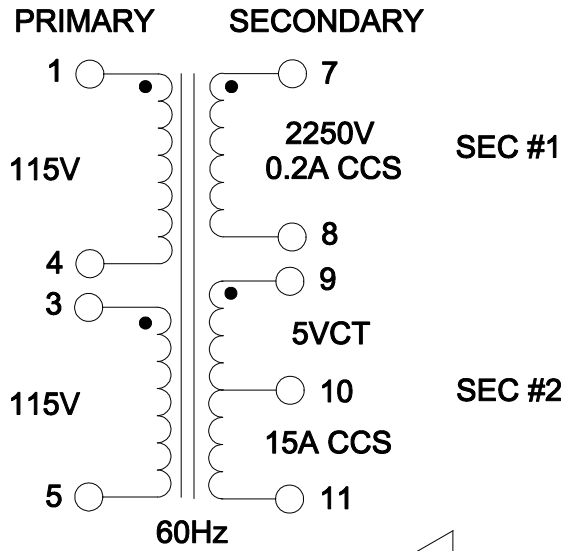


DIMENSIONS:	
A	4.375" ±0.063
B	5.205" MAX.
C	5.250" ±0.063
D	3.500" ±0.063
E	3.875" ±0.063
F	4.500" ±0.063
G	0.200" X 0.625" ±0.015



ELECTRONIC DIVISION
52 RANKIN PLACE,
WATERLOO, ONTARIO, N2J 3Z5
PH # (519) 886-6181
FAX # (519) 886-9540

TITLE

HENRY 1KD-5
POWER TRANSFORMER T1
P/N ECA-1111 DIRECT REPLACEMENT

NO	DATE	REVISION	DWG. BY
0	07/30/14	RELEASED. C.I.	C. ILIE
1	09/07/18	REVISED SCHEMATIC. C.I.	DATE
			07/30/14
			DIM IN(X)MM()

PWDP13033