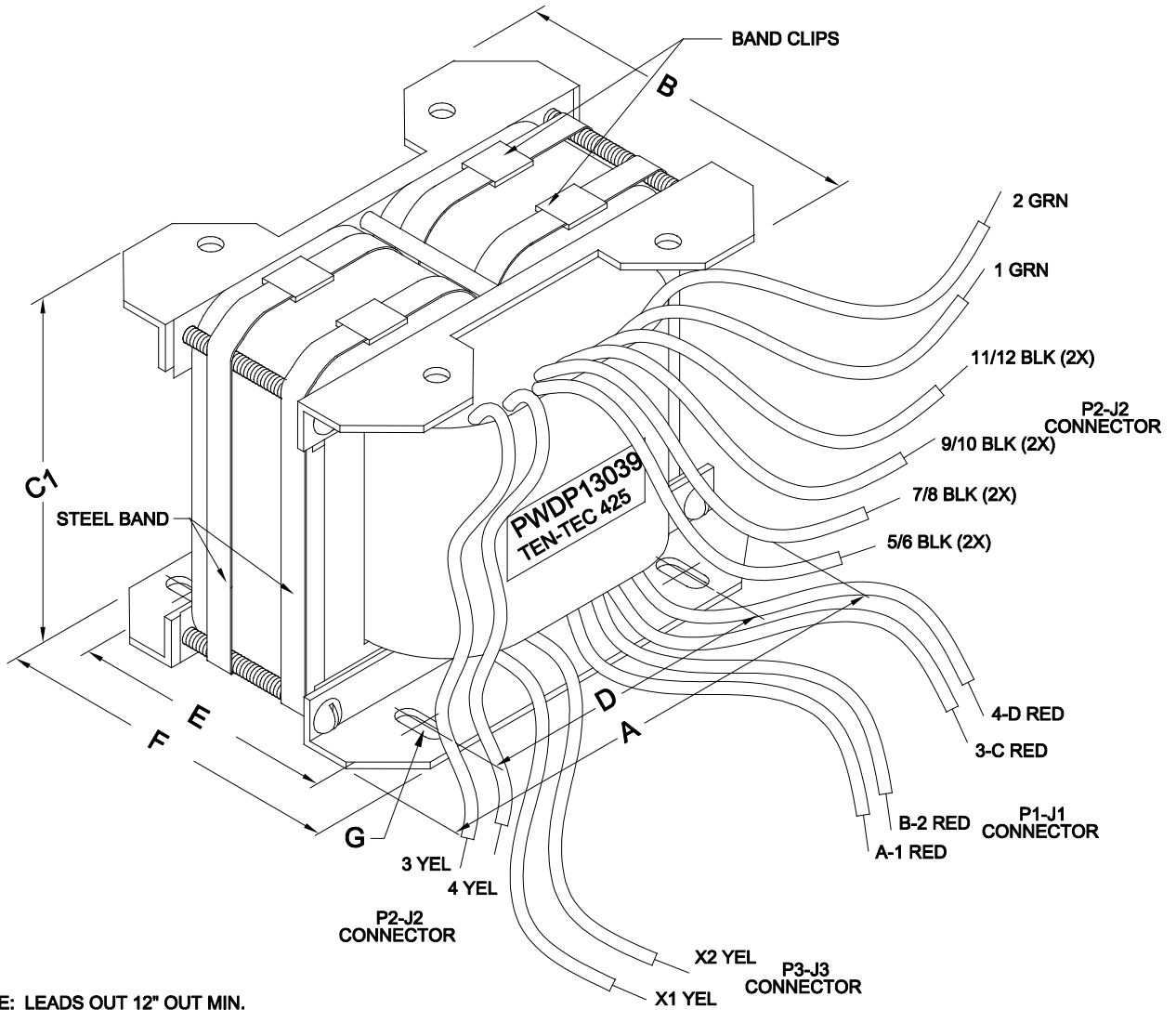


DIMENSIONS:	
A	8.000" ±0.063
B	7.250" MAX.
C	7.125" ±0.063
D	5.500" ±0.063
E	3.938" ±0.063
F	4.813" ±0.063
G	0.312" X 0.531" ±0.015



NOTE: LEADS OUT 12" OUT MIN.

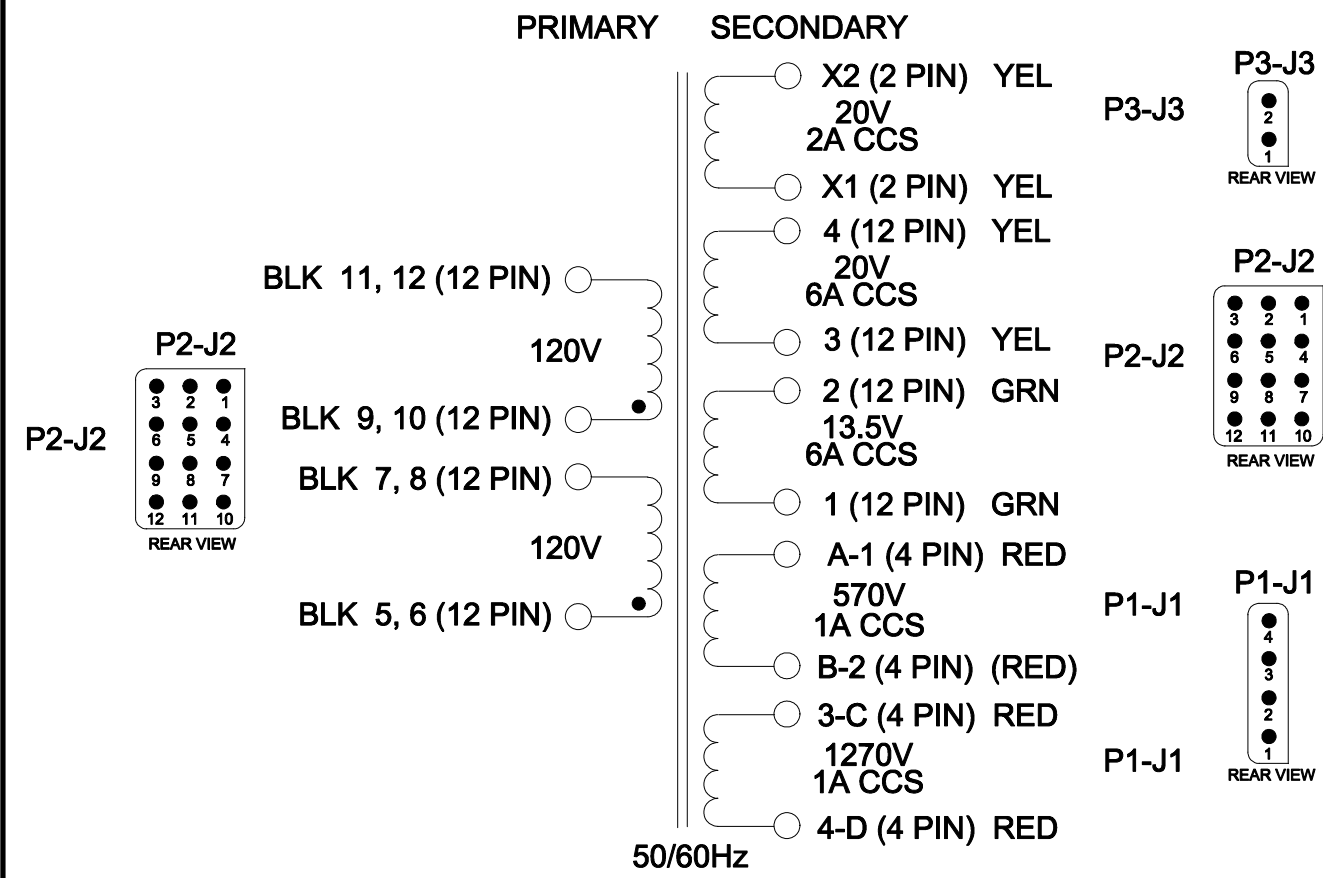


ELECTRONIC DIVISION
 52 RANKIN PLACE,
 WATERLOO, ONTARIO, N2J 3Z5
 PH # (519) 886-6181
 FAX # (519) 886-9540

TITLE
**TEN-TEC 425 TITAN
 POWER TRANSFORMER**

NO	DATE	REVISION	DWG. BY
0	10/10/14	RELEASED. C.I.	CORINA ILIE
			DATE
			10/10/14
			DIM IN(Ø)MM()

PWDP13039



HAMMOND MANUFACTURING
ELECTRONIC DIVISION
 52 RANKIN PLACE,
 WATERLOO, ONTARIO, N2J 3Z5
 PH # (519) 886-6181
 FAX # (519) 886-9540

TITLE				TEN-TEC 425 TITAN SCHEMATIC DIAGRAM	
NO	DATE	REVISION		DWG. BY	
0	10/10/14	RELEASED.	C.I.	CORINA ILIE	
				DATE	10/10/14
				DIM IN()MM()	

PWDP13039