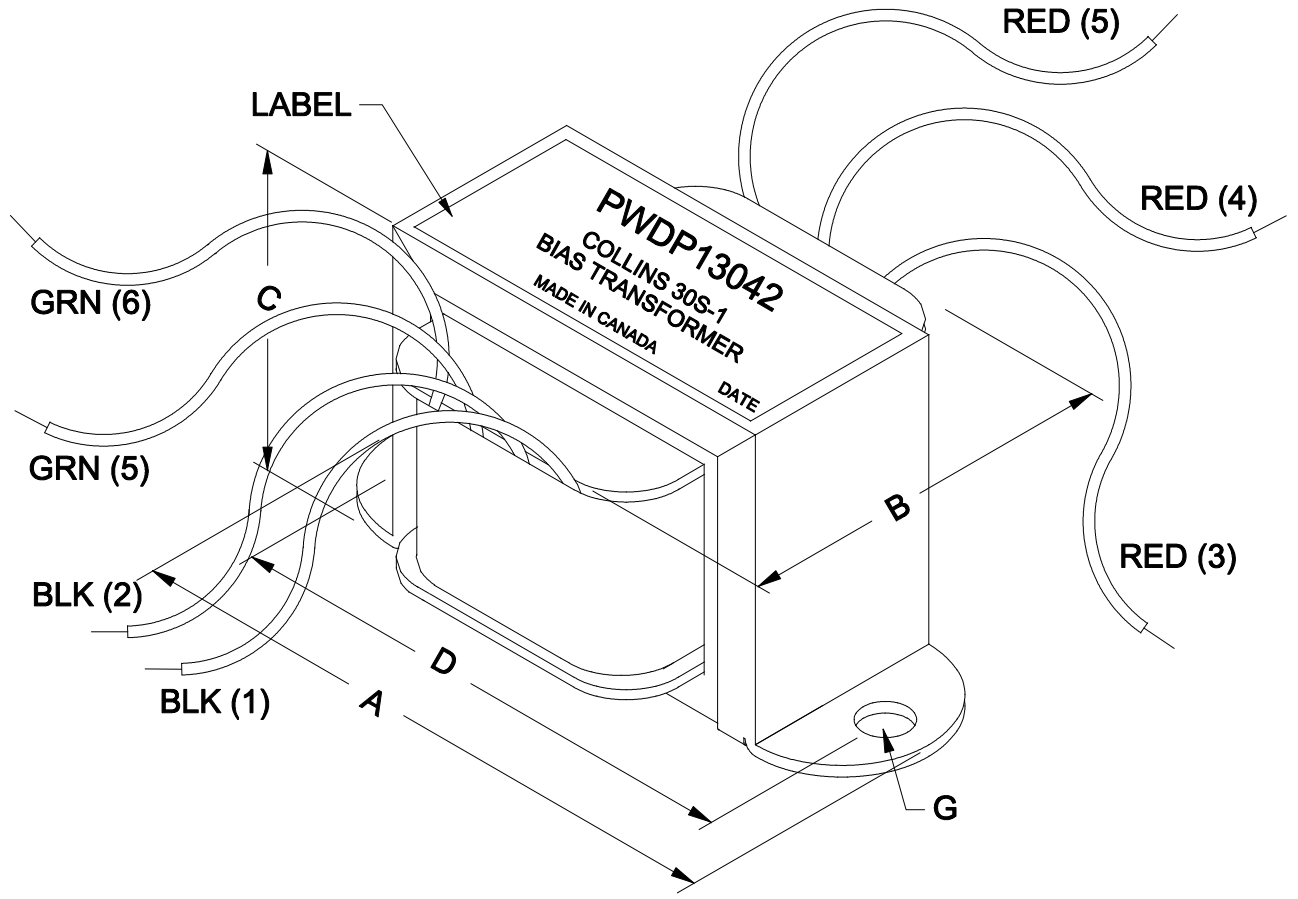
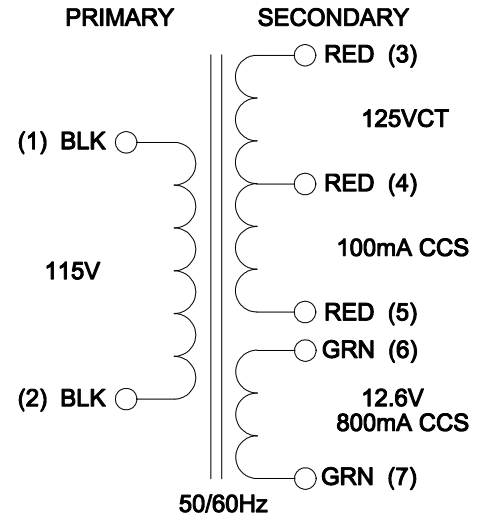


DIMENSIONS:	
A	3.688" ±0.063
B	1.964" ±0.125
C	2.308" ±0.063
D	3.125" ±0.063
G	0.187" ±0.015



NOTE: ALL LEADS 12.0" OUT MIN.

**HAMMOND MANUFACTURING**  
**ELECTRONIC DIVISION**  
 52 RANKIN PLACE,  
 WATERLOO, ONTARIO, N2J 3Z5  
 PH # (519) 886-6181  
 FAX # (519) 886-9540

TITLE					PWDP13042	
NO	DATE	REVISION		DWG. BY		
0	11/03/14	RELEASED.	C.I.	CORINA ILIE		
				DATE		
				11/03/14		
				DIM IN( )MM( )		

EDBPWDP13042