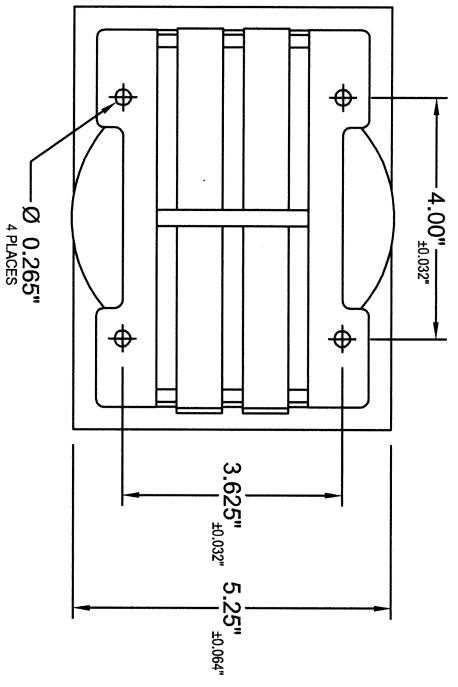
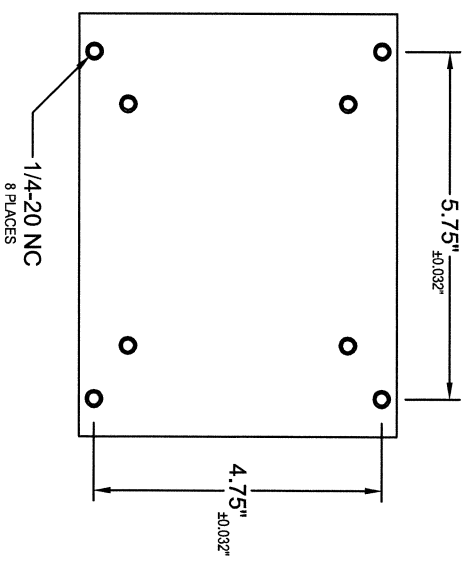


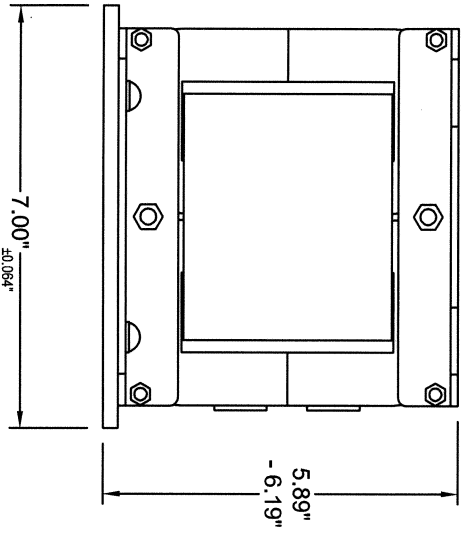
TOP VIEW:



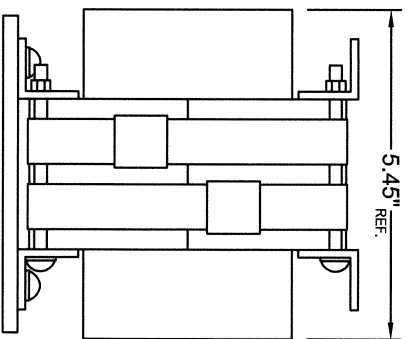
MOUNTING:



SIDE VIEW:



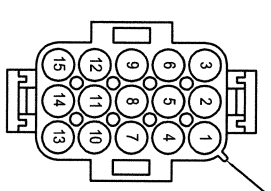
END VIEW:



WEIGHT: APPROXIMATELY 33Lbs.

PROPERTY AND COPYRIGHT NOTICE
 THIS DRAWING AND THE INFORMATION IT CONVEYS ARE THE PROPERTY OF HAMMOND MANUFACTURING. IT MAY NOT BE REPRODUCED, TRANSMITTED OR USED IN ANY MANNER WHATSOEVER WITHOUT THE WRITTEN PERMISSION OF HAMMOND MANUFACTURING.

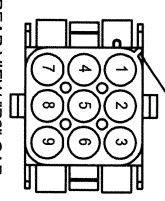
		ELECTRONIC DIVISION 52 RANKIN PLACE WATERLOO, ONTARIO, N2L 3Z5 PHONE: 519.886.6181 FAX: 519.886.9540	
DAHL: POWER TRANSFORMER ALPHA 76A-2 SPECIAL HEAVY DUTY 3GK800A7 VERSION			
DRAWN	DATE	NUMBER	
G. GRAY	02/04/2015	PWDP13047	
APPROVED	DATE		



REAR VIEW "J1" PLUG
15 CIRCUIT PLUG "UNIVERSAL MATE-N-LOK"
WITH #350547 "UNIVERSAL MATE-N-LOK" PINS

KEY FOR PIN 1

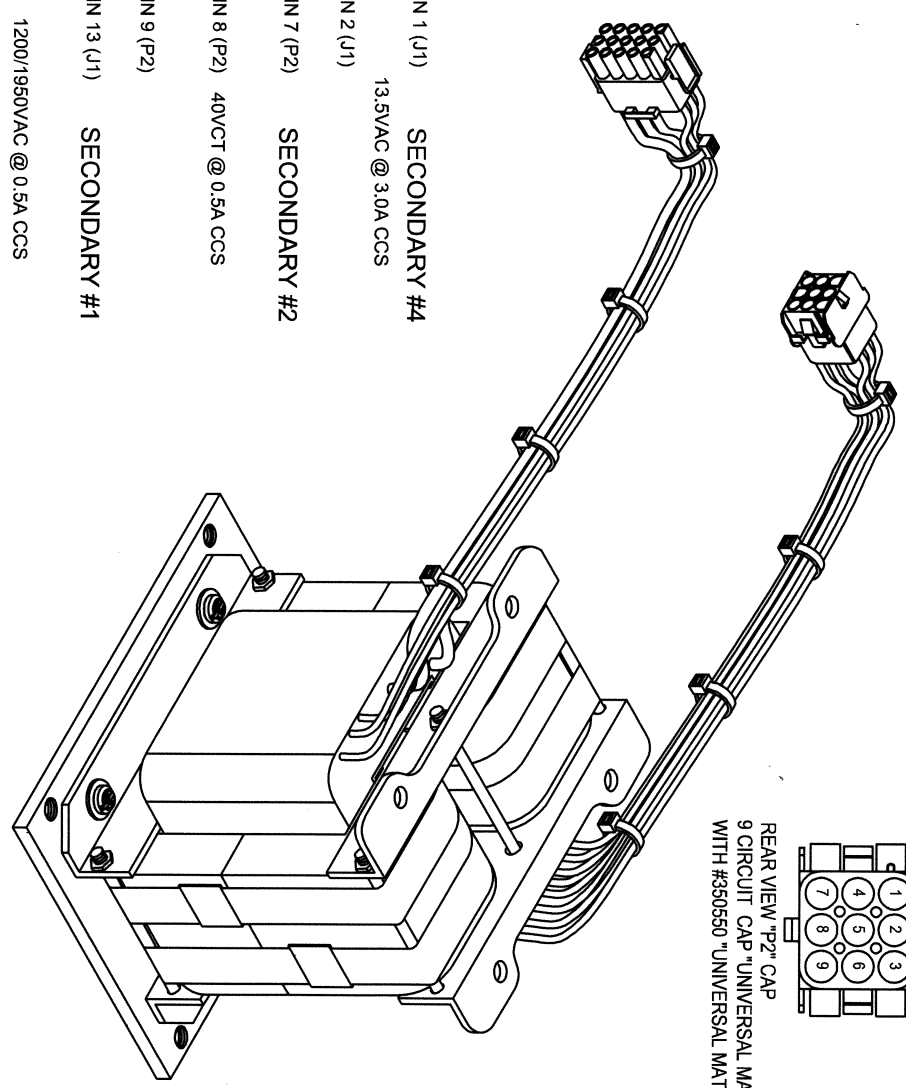
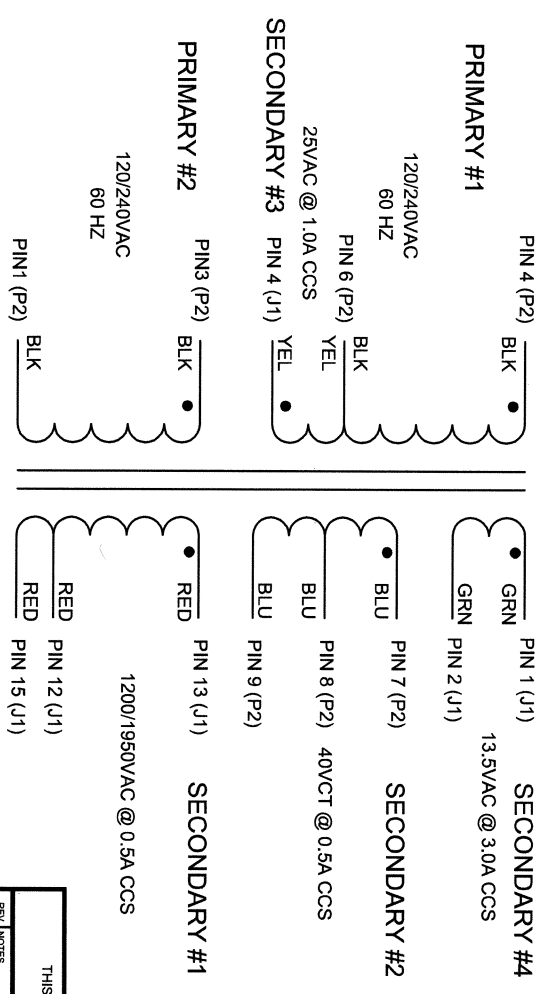
LEADS ARE APPROXIMATELY 12" OUT FROM COIL



REAR VIEW "P2" CAP
9 CIRCUIT CAP "UNIVERSAL MATE-N-LOK"
WITH #350550 "UNIVERSAL MATE-N-LOK" SOCKETS

RIB TO INDICATE PIN 1

ELECTRICAL DIAGRAM:



PROPERTY AND COPYRIGHT NOTICE
THIS DRAWING AND THE INFORMATION IT CONVEYS ARE THE PROPERTY OF HAMMOND MANUFACTURING. IT MAY NOT BE REPRODUCED, TRANSMITTED OR USED IN ANY MANNER WHATSOEVER WITHOUT THE WRITTEN PERMISSION OF HAMMOND MANUFACTURING.

REV	NOTES	BY	DATE
<p>DAHL: POWER TRANSFORMER ALPHA 76A-2 SPECIAL HEAVY DUTY 3CK800A7 VERSION</p>			
DRAWN	DATE	NUMBER	
G. GRAY	02/04/2015	PWDP13047	
APPROVED	DATE		