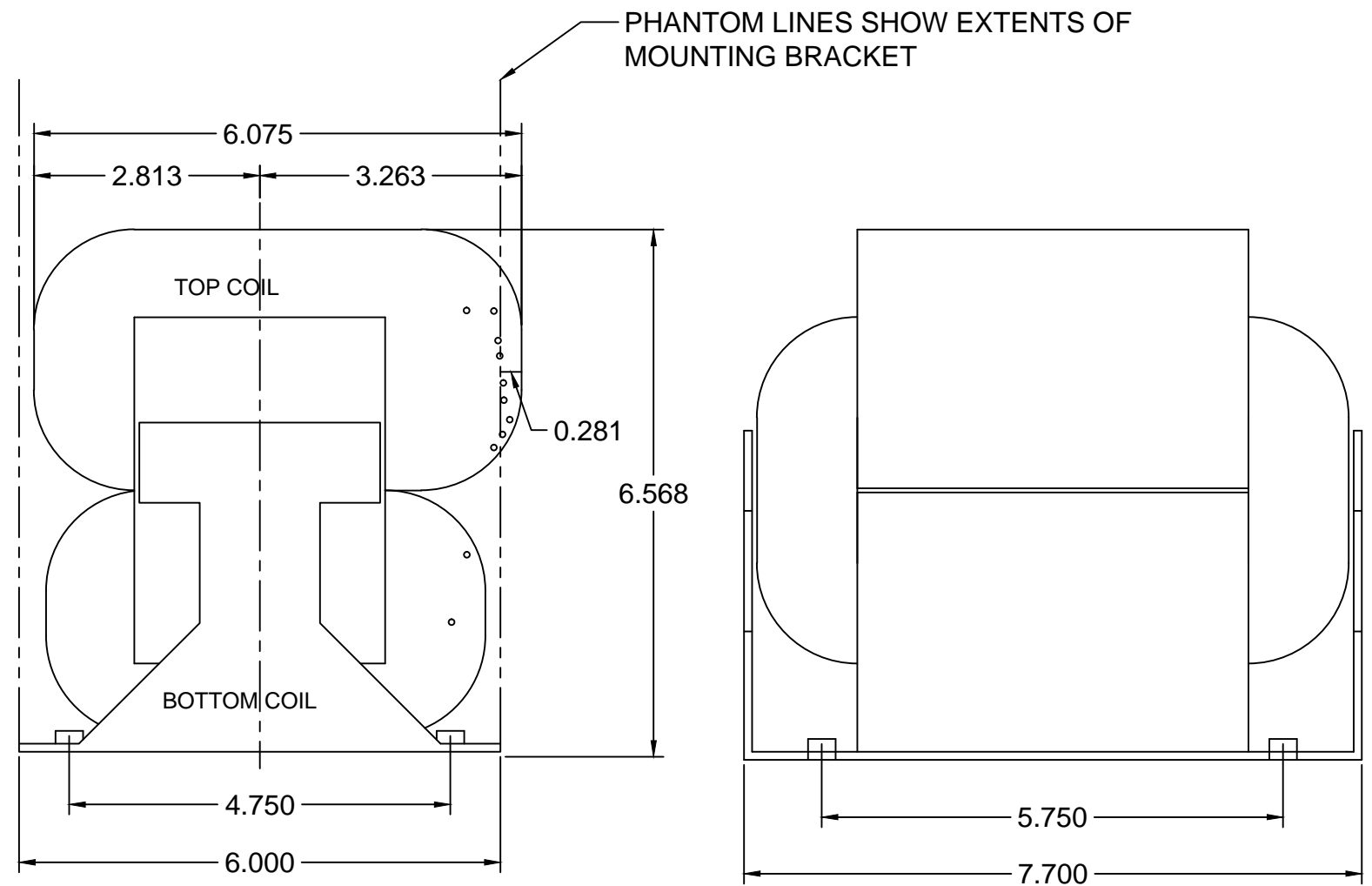



OPTION - FLIPPING COILS TO HAVE LEAD EXITS ON OPPOSITE SIDE OF TRANSFORMER TO MAINTAIN CHASSE WALL CLEARANCE
 - ADDITIONAL LENGTH WOULD BE ADDED TO LEADS TO ACCOMMODATE NEW ORIENTATION

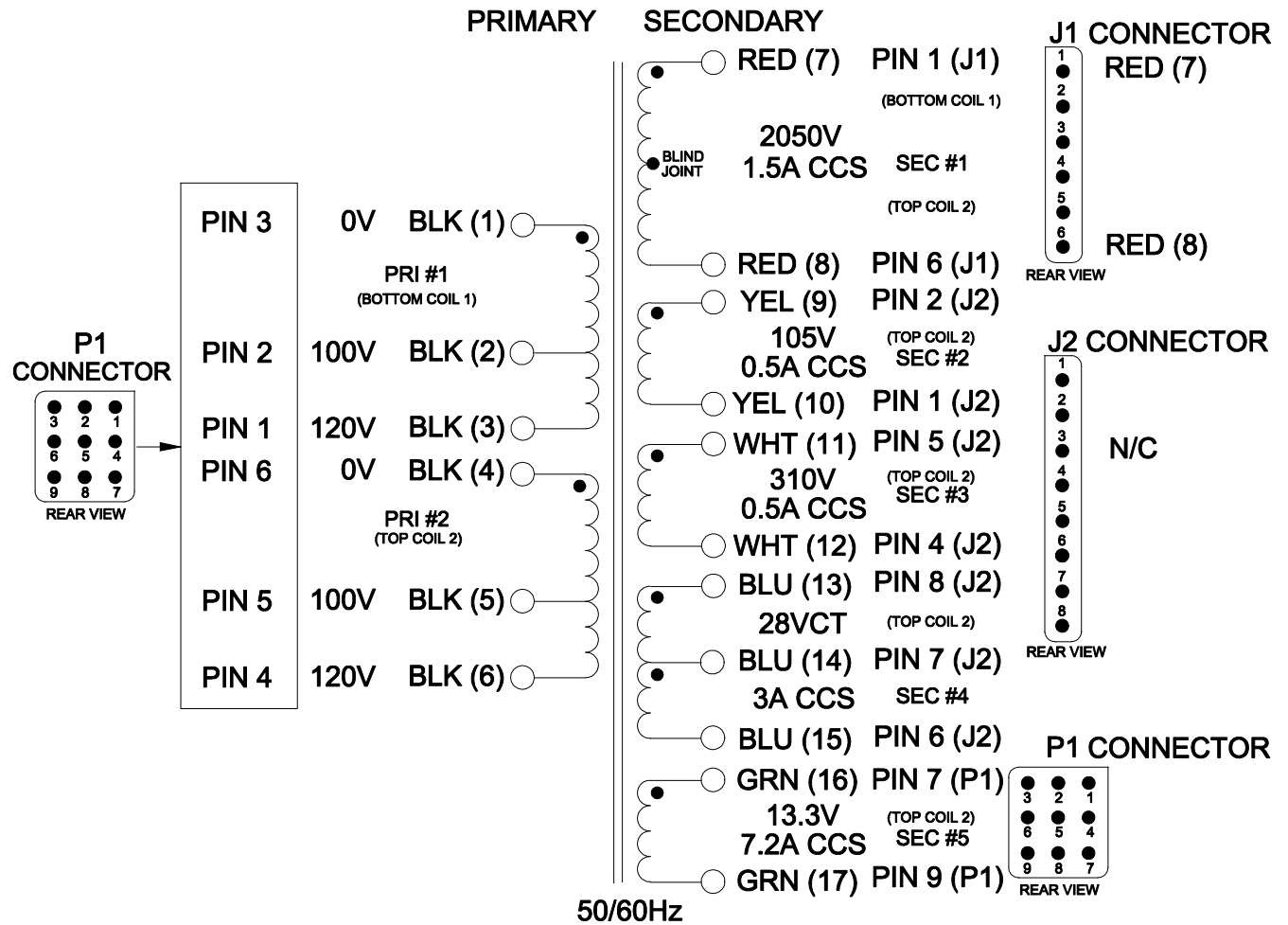


- LEADS NOT SHOWN FOR DIMENSIONAL CLARITY
 - ALL DIMENSION ARE FROM BOTH DAHL SPECIFICATION AND VERIFIED ON PHYSICAL SAMPLE

PROPERTY AND COPYRIGHT NOTICE

THIS DRAWING AND THE INFORMATION IT CONVEYS ARE THE PROPERTY OF HAMMOND MANUFACTURING. IT MAY NOT BE REPRODUCED, TRANSMITTED OR USED IN ANY MANNER WHATSOEVER WITHOUT THE WRITTEN PERMISSION OF HAMMOND MANUFACTURING.

REV	NOTES	BY	DATE	REV	NOTES	BY	DATE
 HAMMOND MANUFACTURING. ELECTRONIC DIVISION 52 RANKIN PLACE, WATERLOO, ONTARIO, N2J 3Z5 PHONE: 519.886.6181 FAX: 519.886.9540							
PWDP13049 DIMENSIONAL ONLY							
DRAWN		DATE		NUMBER			
C. BACIK		03/20/15					
APPROVED		DATE					



HAMMOND MANUFACTURING
ELECTRONIC DIVISION
 52 RANKIN PLACE,
 WATERLOO, ONTARIO, N2J 3Z5
 PH # (519) 886-6181
 FAX # (519) 886-9540

TITLE PWDP13049 - SCHEMATIC
 ALPHA 99 AMPLIFIER - MAIN POWER TRANSFORMER
 P/N TPX - X168

NO	DATE	REVISION	DWG. BY
0	02/26/16	RELEASED.	C.I. CORINA ILIE
			DATE
			02/26/16
			DIM IN(X)MM()

EDBPWDP13049