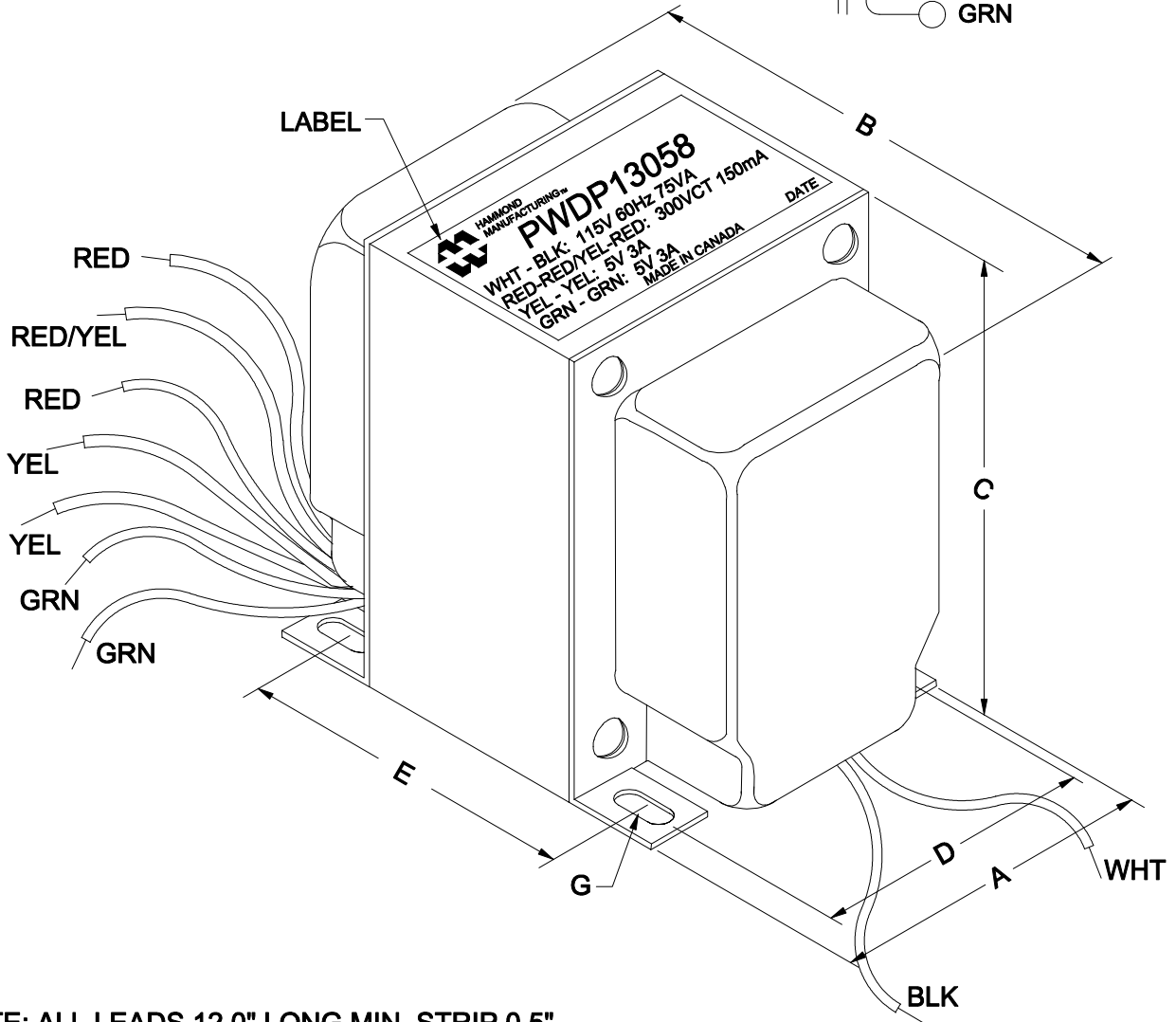
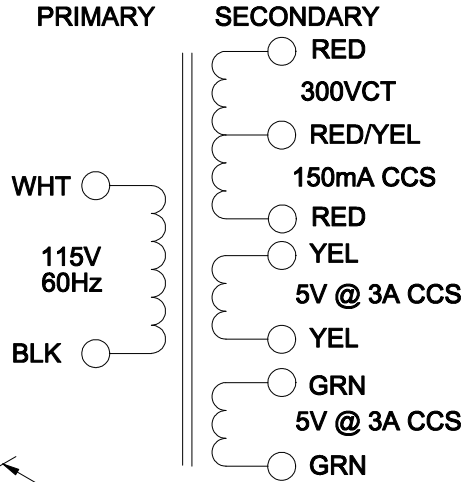


DIMENSIONS:	
A	3.125" ±0.063
B	4.186" ±0.125
C	3.800" ±0.063
D	2.500" ±0.063
E	2.938" ±0.063
G	0.203" x 0.400" ±0.015



NOTE: ALL LEADS 12.0" LONG MIN. STRIP 0.5".



**ELECTRONIC DIVISION**  
 52 RANKIN PLACE,  
 WATERLOO, ONTARIO, N2J 3Z5  
 PH # (519) 886-6181  
 FAX # (519) 886-9540

TITLE  
**PWDP13058**

NO	DATE	REVISION	DWG. BY
0	04/29/15	RELEASED.	C.I. CORINA ILIE
			DATE
			04/29/15
			DIM IN( )MM( )

EDBPWDP13058