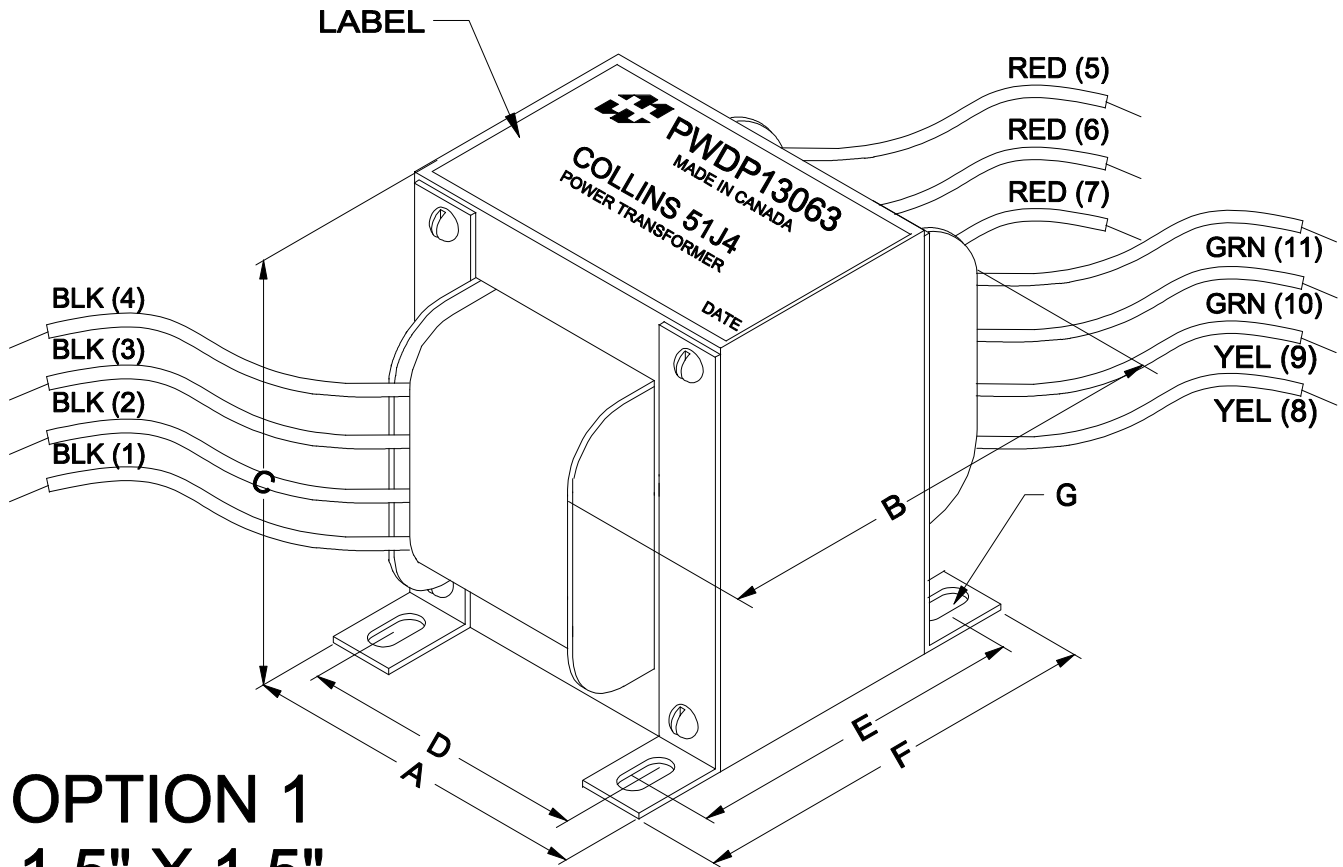
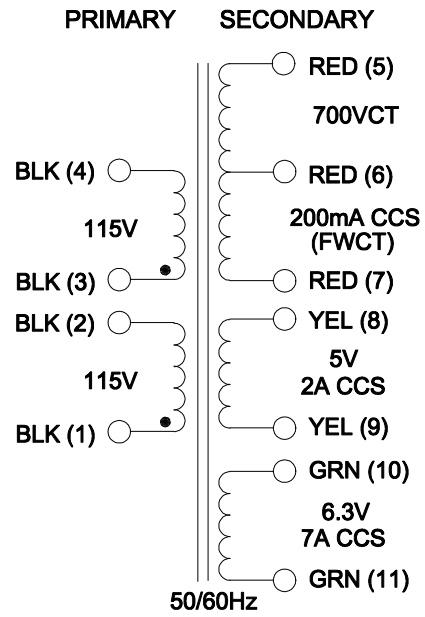


DIMENSIONS:	
A	3.750" ±0.063
B	3.685" ±0.063
C	4.500" ±0.125
D	3.000" ±0.063
E	2.500" ±0.063
G	0.203" X 0.375" ±0.063



OPTION 1
1.5" X 1.5"

NOTE: ALL LEADS 12.0" LONG OUT MIN.



ELECTRONIC DIVISION
52 RANKIN PLACE,
WATERLOO, ONTARIO, N2J 3Z5
PH # (519) 886-6181
FAX # (519) 886-9540

TITLE

PETER DAHL
COLLINS 51J4 POWER

NO	DATE	REVISION	DWG. BY
0	09/23/15	RELEASED.	C.I. CORINA ILIE
			DATE
			09/23/15
			DIM IN(X)MM()

PWDP13063