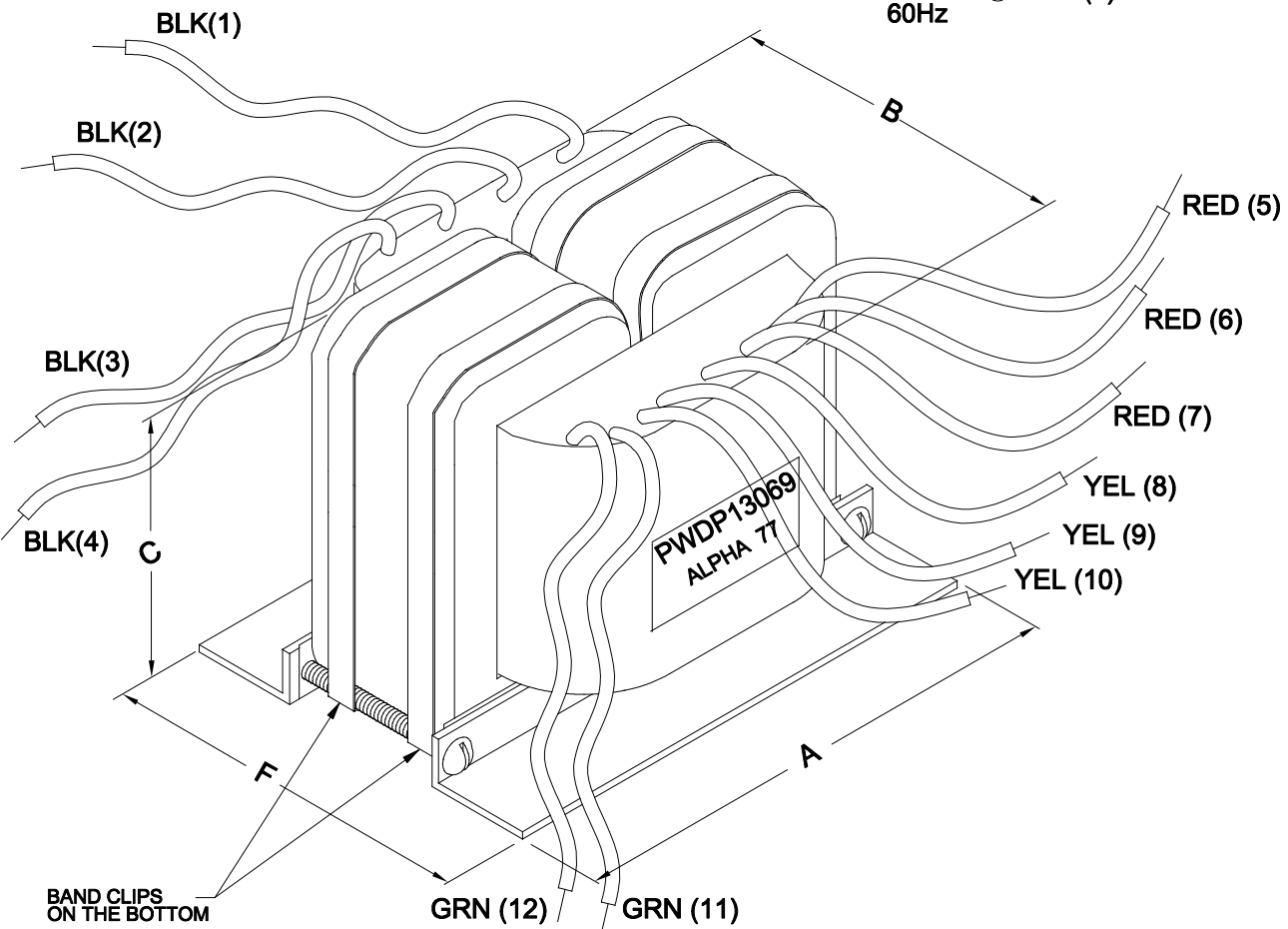
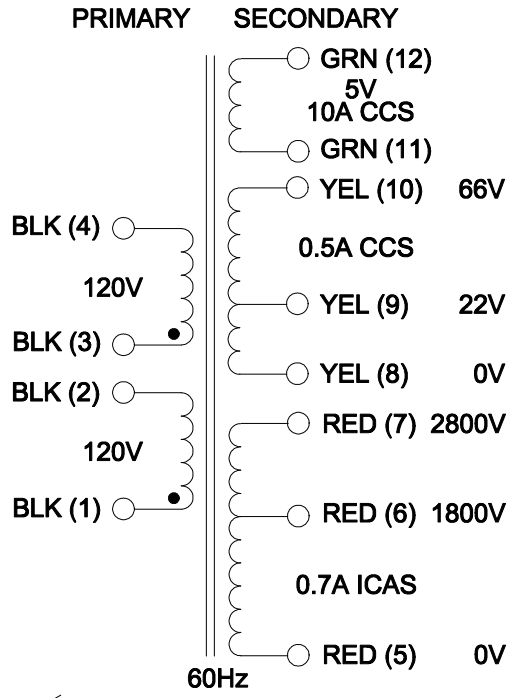


DIMENSIONS:	
A	6.150" MAX.
B	5.750" MAX.
C	5.500" MAX.
F	4.500" ±0.063



HAMMOND MANUFACTURING
ELECTRONIC DIVISION
 52 RANKIN PLACE,
 WATERLOO, ONTARIO, N2J 3Z5
 PH # (519) 886-6181
 FAX # (519) 886-9540

TITLE			
PWDP13069			
NO	DATE	REVISION	DWG. BY
0	01/22/16	RELEASED.	C.I.
			DATE
			01/22/16
			DIM IN()MM()

PWDP13069