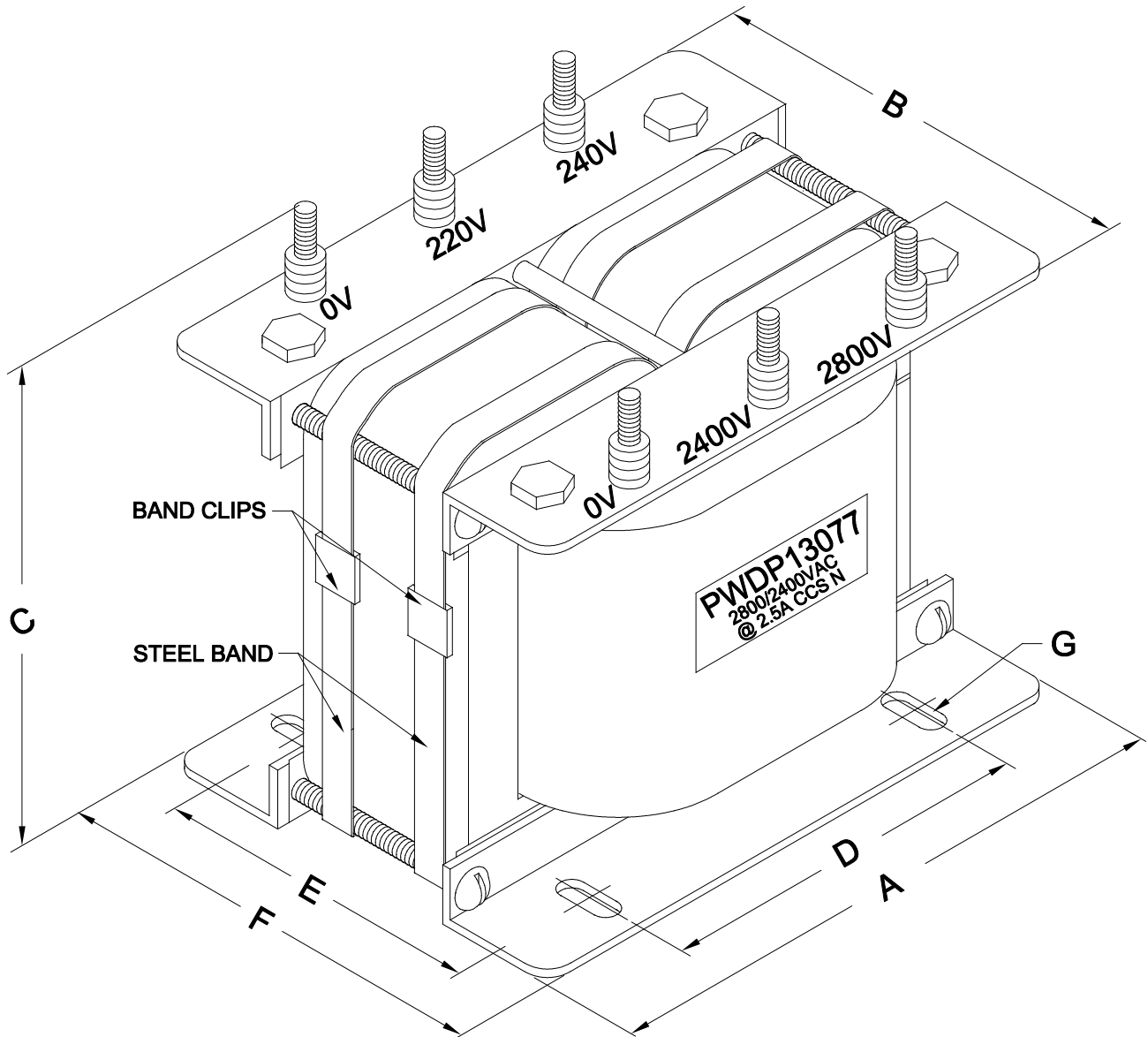
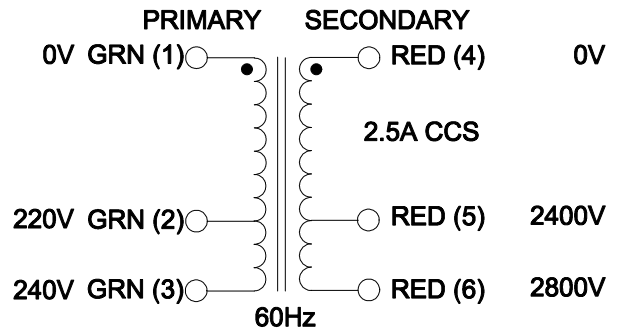


DIMENSIONS:	
A	9.750" ±0.063
B	6.375" ±0.250
C	10.67" ±0.125
D	6.438" ±0.125
E	5.000" ±0.063
F	6.375" ±0.063
G	0.313" X 0.625" ±0.015



ELECTRONIC DIVISION
52 RANKIN PLACE,
WATERLOO, ONTARIO, N2J 3Z5
PH # (519) 886-6181
FAX # (519) 886-9540

TITLE
2800/2400VAC @ 2.5A CCS N

NO	DATE	REVISION	DWG. BY
0	08/30/18	RELEASED.	C.I.
			C. ILIE
			DATE
			08/30/18
			DIM IN(X)MM()

PWDP13077