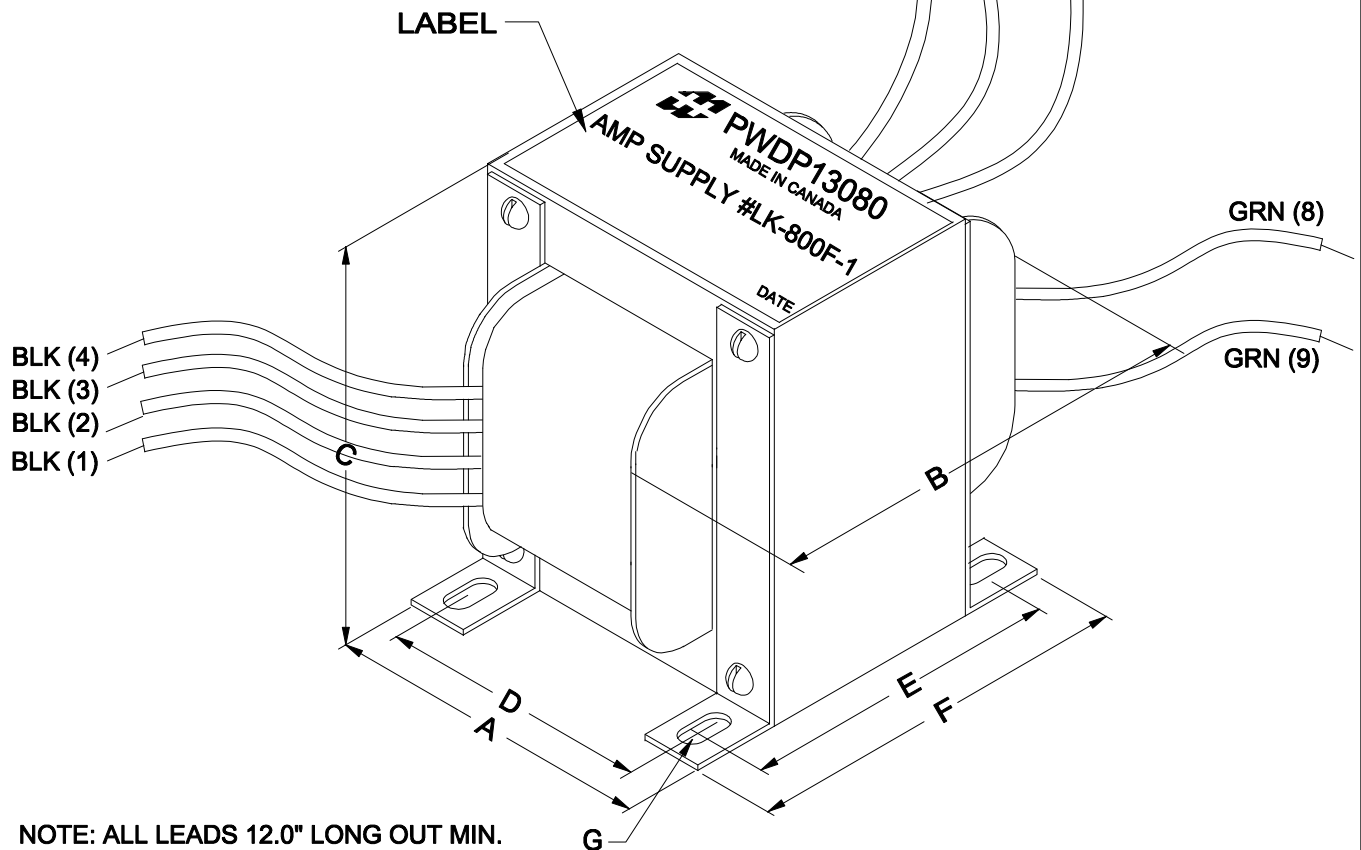
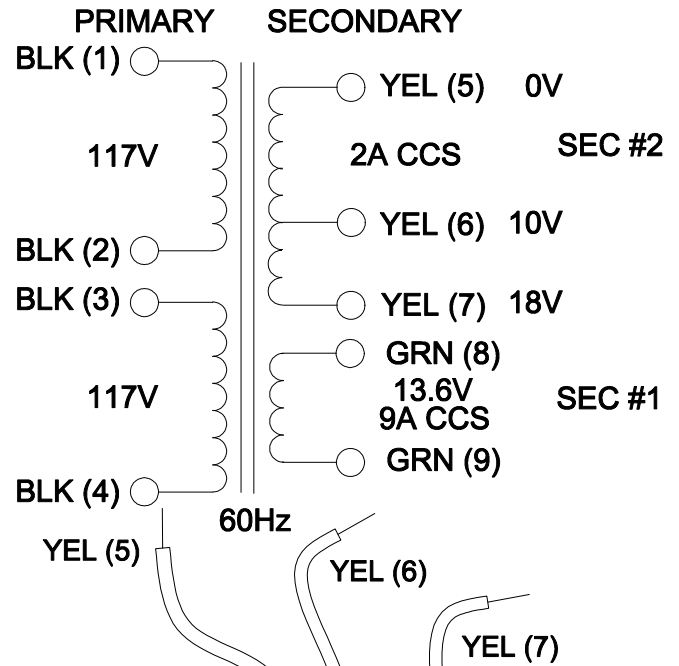


DIMENSIONS:	
A	3.750" ±0.063
B	3.390" ±0.125
C	4.500" ±0.063
D	3.000" ±0.063
E	2.500" ±0.063
F	3.063" ±0.063
G	0.203" x 0.375" ±0.015



NOTE: ALL LEADS 12.0" LONG OUT MIN.



**ELECTRONIC DIVISION**  
 52 RANKIN PLACE,  
 WATERLOO, ONTARIO, N2J 3Z5  
 PH # (519) 886-6181  
 FAX # (519) 886-9540

TITLE  
**AMP SUPPLY #LK-800F-1  
 POWER TRANSFORMER**

NO	DATE	REVISION	DWG. BY
0	03/31/16	RELEASED.	C.I. CORINA ILIE
1	09/05/18	CORRECTED P/N ON DWG.	C.I.
			DATE
			03/31/16
			DIM IN(X)MM( )

PWDP13080