



## HOOK UP INFORMATION:

### FOR INPUT VOLTAGE 120V LO:

- JUMPER BLK (1) & GRN (2)
- JUMPER ORG (3) & BLU (4) & YEL (5)
- JUMPER BRN (7) & VIO (6)

INPUT VOLTAGE: BRN (7) TO BLK (1)

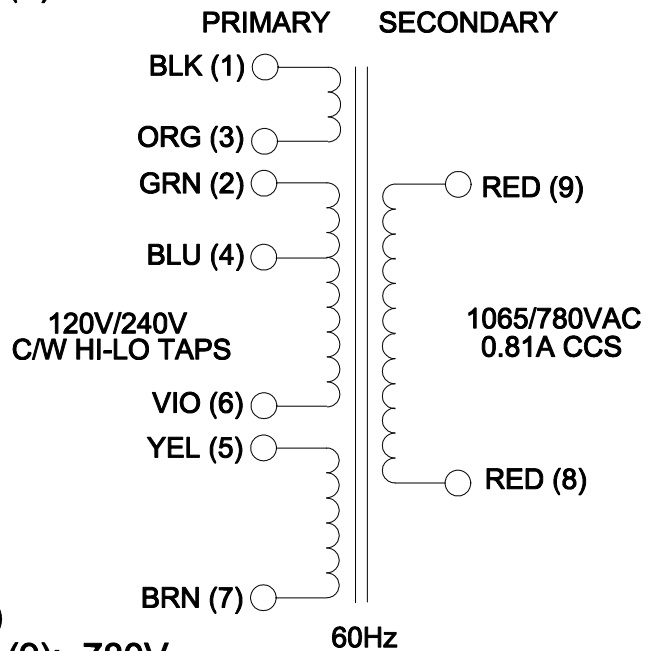
OUTPUT VOLTAGE: RED (8) TO RED (9): 780V

### FOR INPUT VOLTAGE 120V HI:

- JUMPER BLK (1) & GRN (2)
- JUMPER ORG (3) & BLU (4) & YEL (5)
- JUMPER BRN (7) & VIO (6)

INPUT VOLTAGE: BRN (7) TO BLU (4)

OUTPUT VOLTAGE: RED (8) TO RED (9): 1065V



### FOR INPUT VOLTAGE 240V LO:

- JUMPER GRN (2) & ORG (3)
- JUMPER YEL (5) & VIO (6)
- BLU (4): NO CONNECTION

INPUT VOLTAGE: BRN (7) TO BLK (1)

OUTPUT VOLTAGE: RED (8) TO RED (9): 780V

### FOR INPUT VOLTAGE 240V HI:

- JUMPER GRN (2) & ORG (3)
- JUMPER YEL (5) & VIO (6)
- BLK (1): NO CONNECTION

INPUT VOLTAGE: BRN (7) TO BLU (4)

OUTPUT VOLTAGE: RED (8) TO RED (9): 1065V



**ELECTRONIC DIVISION**  
 52 RANKIN PLACE,  
 WATERLOO, ONTARIO, N2J 3Z5  
 PH # (519) 886-6181  
 FAX # (519) 886-9540

TITLE  
**DRAKE L4B-7**

NO	DATE	REVISION	DWG. BY
0	10/19/16	RELEASED.                      C.I.	C. ILIE
			DATE
			10/19/16
			DIM IN( )MM( )

PWDP13087