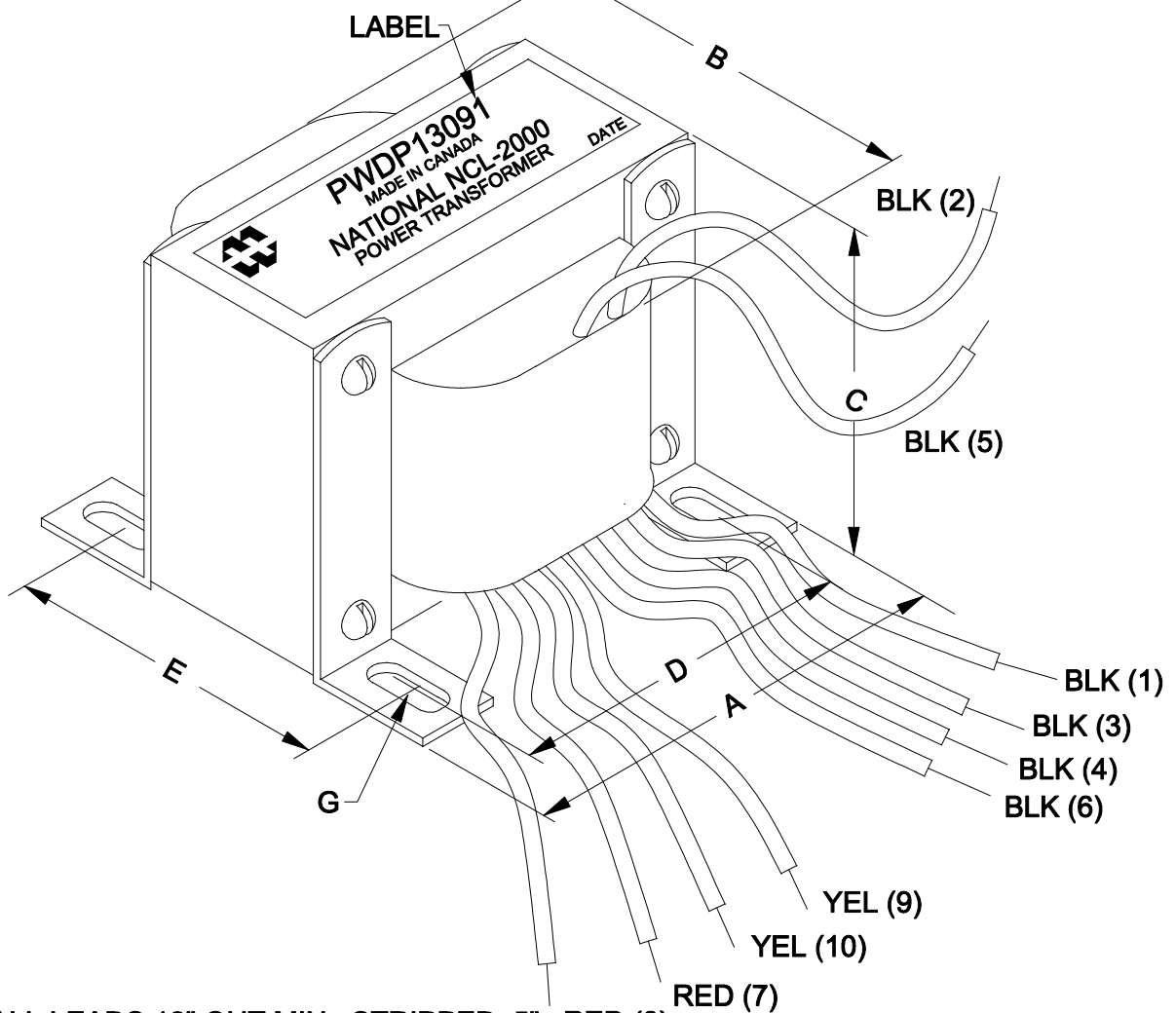
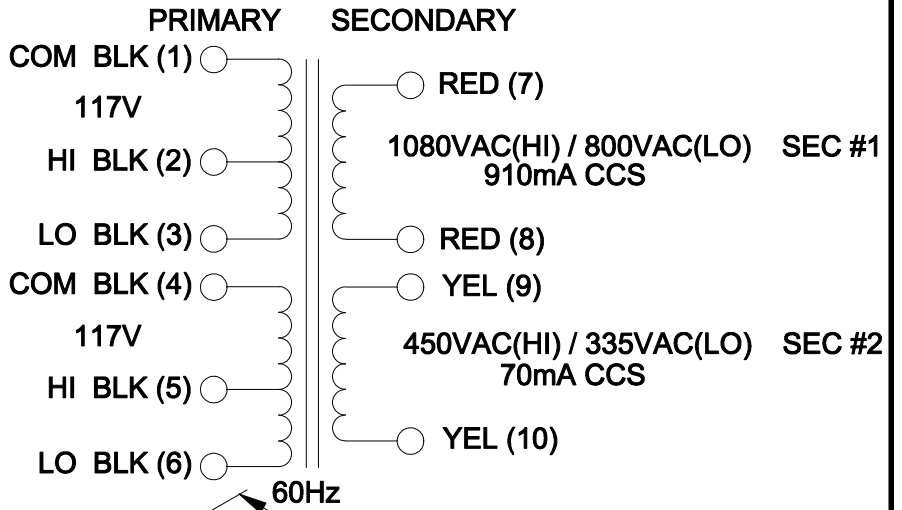


DIMENSIONS:	
A	5.250" ±0.063
B	6.250" ±0.125
C	4.375" ±0.063
D	4.375" ±0.063
E	5.125" ±0.063
F	6.250" ±0.063
G	0.281" X 0.563" ±0.015



NOTE: ALL LEADS 12" OUT MIN., STRIPPED .5" RED (8)



ELECTRONIC DIVISION
 52 RANKIN PLACE,
 WATERLOO, ONTARIO, N2J 3Z5
 PH # (519) 886-6181
 FAX # (519) 886-9540

TITLE
 NATIONAL NCL-2000

NO	DATE	REVISION	DWG. BY
0	05/20/16	RELEASED.	C.I. CORINA ILIE
			DATE
			05/20/16
			DIM IN()MM()

EDBPWDP13091