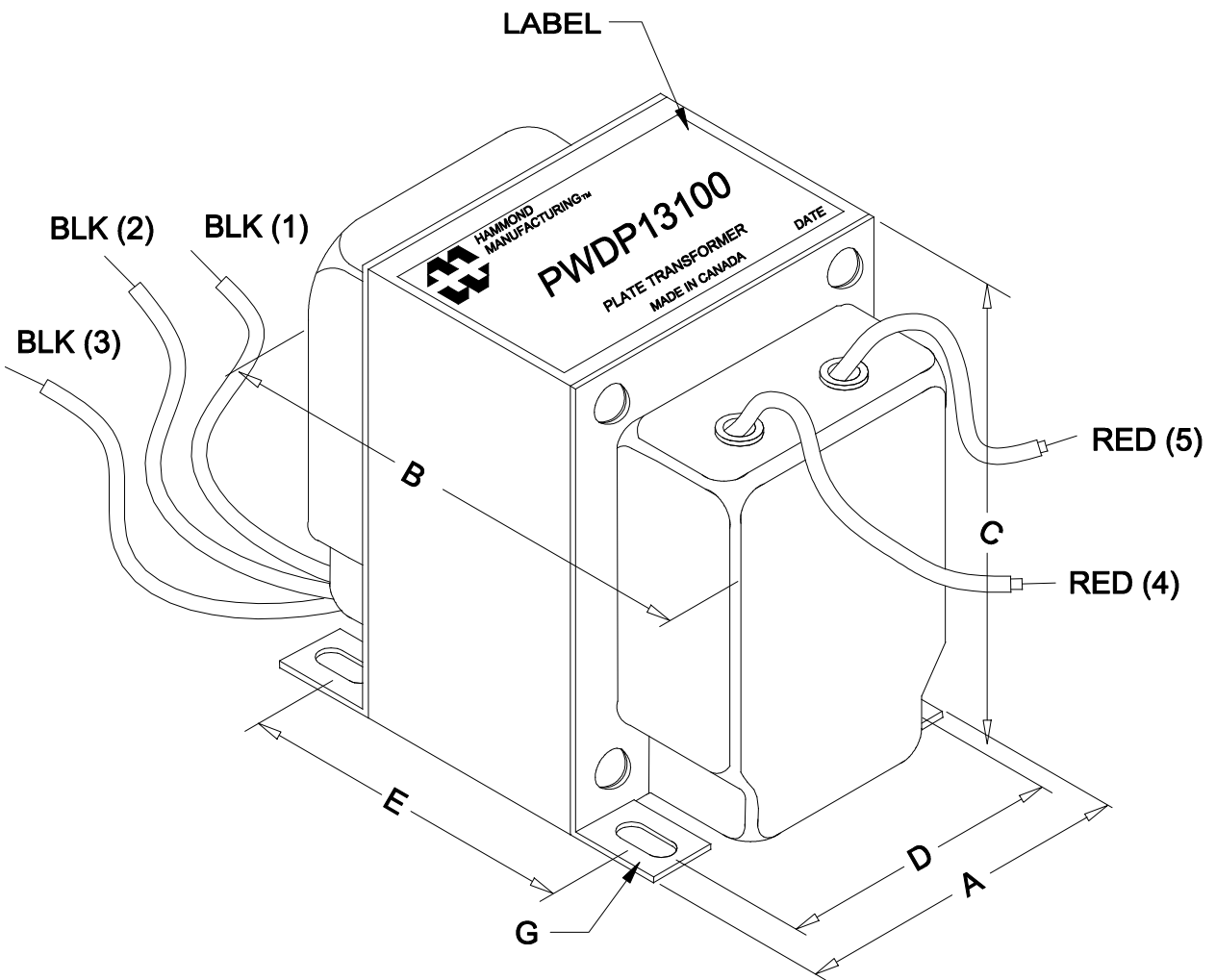
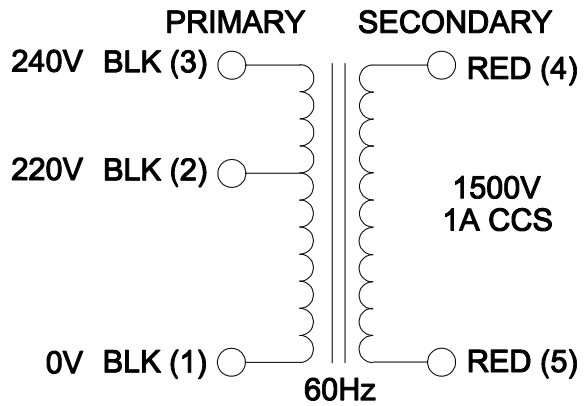


DIMENSIONS:	
A	5.313" ±0.063
B	7.600" ±0.125
C	6.375" ±0.063
D	4.250" ±0.063
E	6.000" ±0.063
G	0.281" X 0.750" ±0.015



NOTE: ALL LEADS 14.0" LONG MIN. STRIP 0.5".



ELECTRONIC DIVISION
52 RANKIN PLACE,
WATERLOO, ONTARIO, N2J 3Z5
PH # (519) 886-6181
FAX # (519) 886-9540

TITLE

PLATE TRANSFORMER

NO	DATE	REVISION	DWG. BY
0	09/22/16	RELEASED.	C.I.
			DATE
			09/22/16
			DIM IN(∅)MM()

PWDP13100