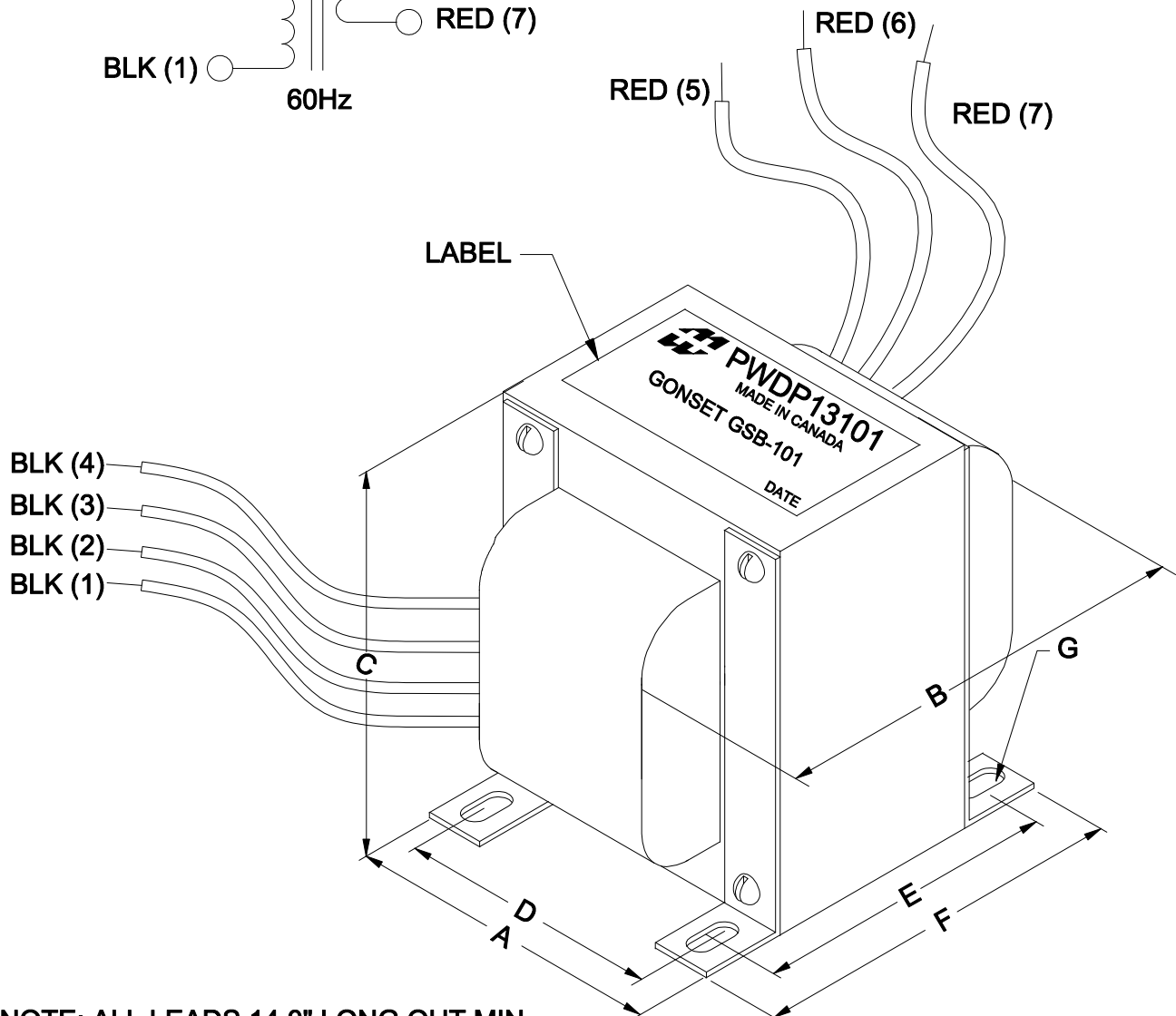


DIMENSIONS:

A	4.250" ±0.063
B	6.650" ±0.125
C	5.750" ±0.063
D	3.438" ±0.063
E	4.625" ±0.063
F	5.750" ±0.063
G	0.281" X 0.562" ±0.015



NOTE: ALL LEADS 14.0" LONG OUT MIN.



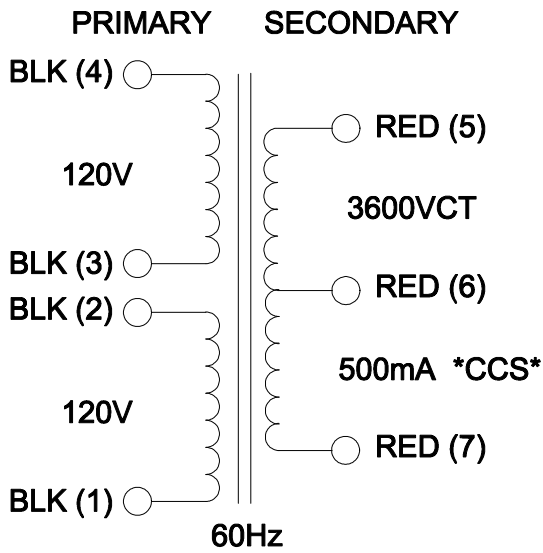
ELECTRONIC DIVISION
52 RANKIN PLACE,
WATERLOO, ONTARIO, N2J 3Z5
PH # (519) 886-6181
FAX # (519) 886-9540

TITLE

GONSET GSB-101
(MODIFIED)

NO	DATE	REVISION	DWG. BY
0	11/09/16	RELEASED.	C.I. CORINA ILIE
			DATE 11/09/16
			DIM IN()MM()

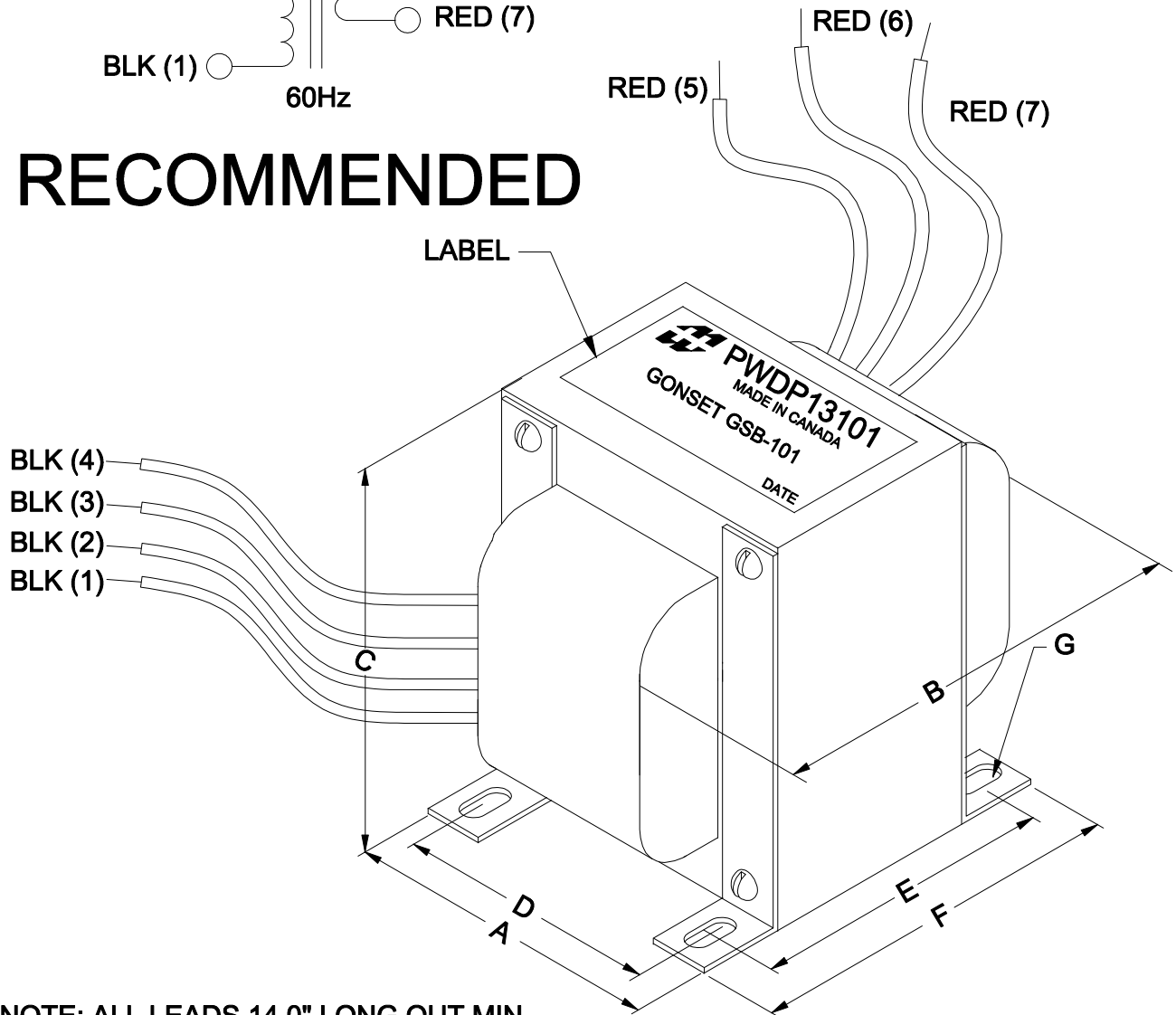
PWDP13101



DIMENSIONS:

A	5.313" ±0.063
B	7.000" ±0.125
C	6.375" ±0.063
D	4.250" ±0.063
E	5.126" ±0.063
F	6.250" ±0.063
G	0.281" X 0.563" ±0.015

RECOMMENDED



NOTE: ALL LEADS 14.0" LONG OUT MIN.



**HAMMOND
MANUFACTURING**™

ELECTRONIC DIVISION
52 RANKIN PLACE,
WATERLOO, ONTARIO, N2J 3Z5
PH # (519) 886-6181
FAX # (519) 886-9540

TITLE				GONSET GSB-101 (MODIFIED)	
NO	DATE	REVISION		DWG. BY	
0	11/09/16	RELEASED.	C.I.	CORINA ILIE	
				DATE	11/09/16
				DIM IN()MM()	

PWDP13101