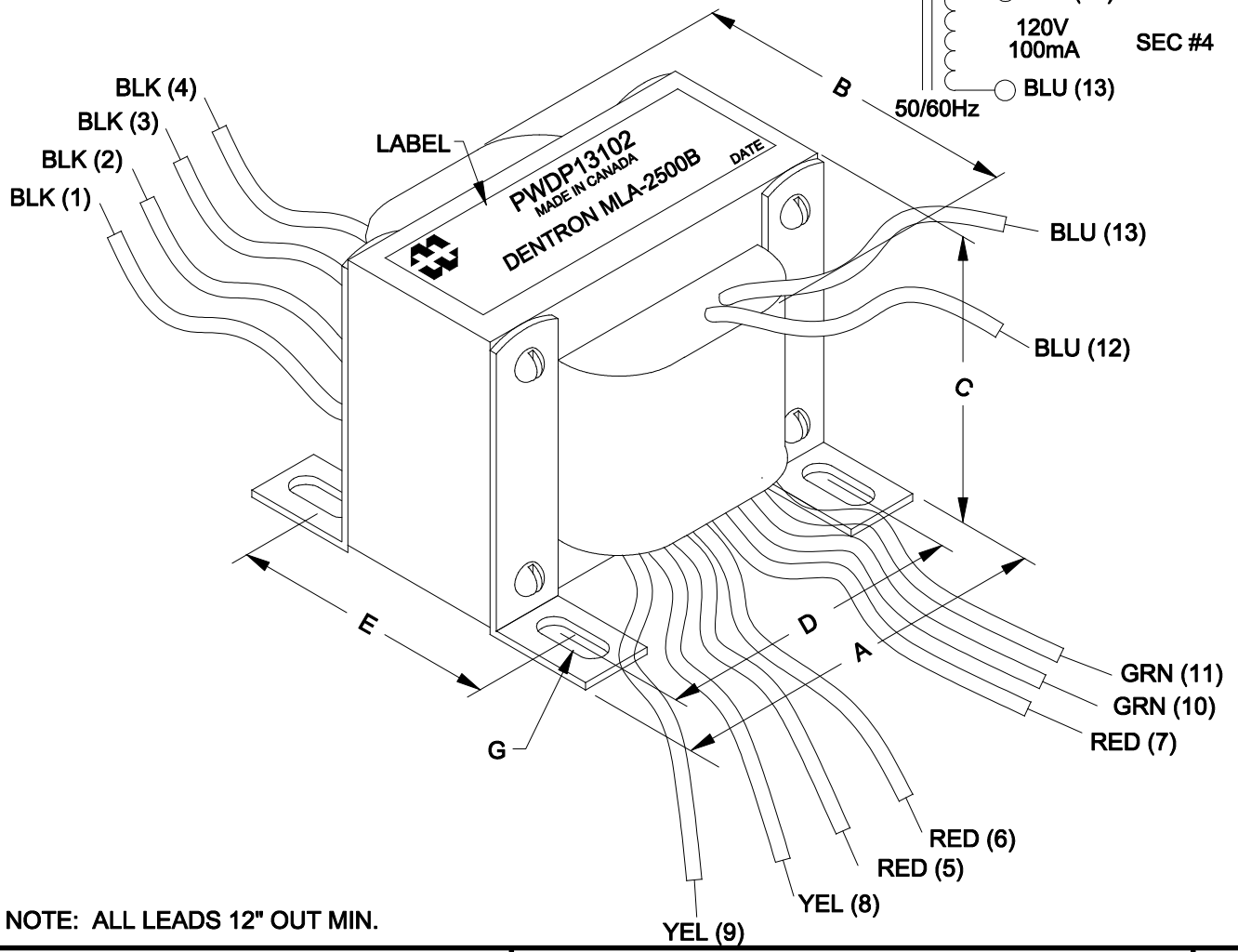
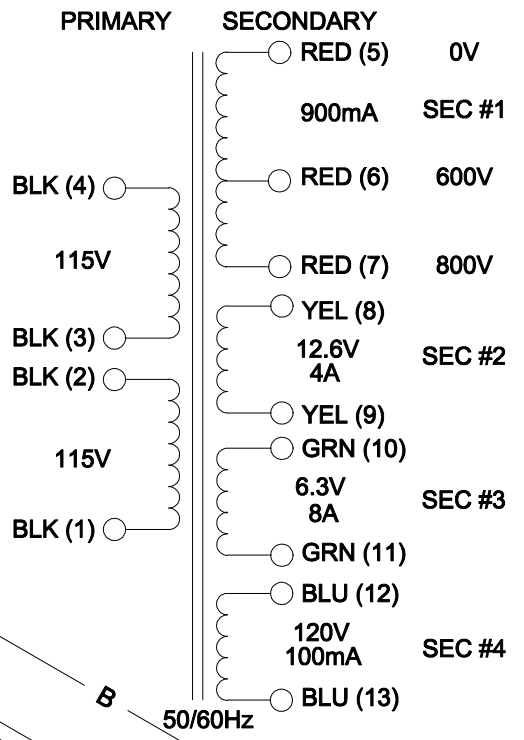


DIMENSIONS:	
A	5.750" ±0.063
B	6.150" ±0.125
C	4.250" ±0.063
D	4.938" ±0.063
E	4.125" ±0.063
G	0.281" X 0.562" ±0.015



NOTE: ALL LEADS 12" OUT MIN.



ELECTRONIC DIVISION
 52 RANKIN PLACE,
 WATERLOO, ONTARIO, N2J 3Z5
 PH # (519) 886-6181
 FAX # (519) 886-9540

TITLE
DENTRON MLA-2500B

NO	DATE	REVISION	DWG. BY
0	01/27/17	RELEASED.	C.I.

DWG. BY
 C. ILIE
 DATE
 01/27/17
 DIM IN()MM()

PWDP13102