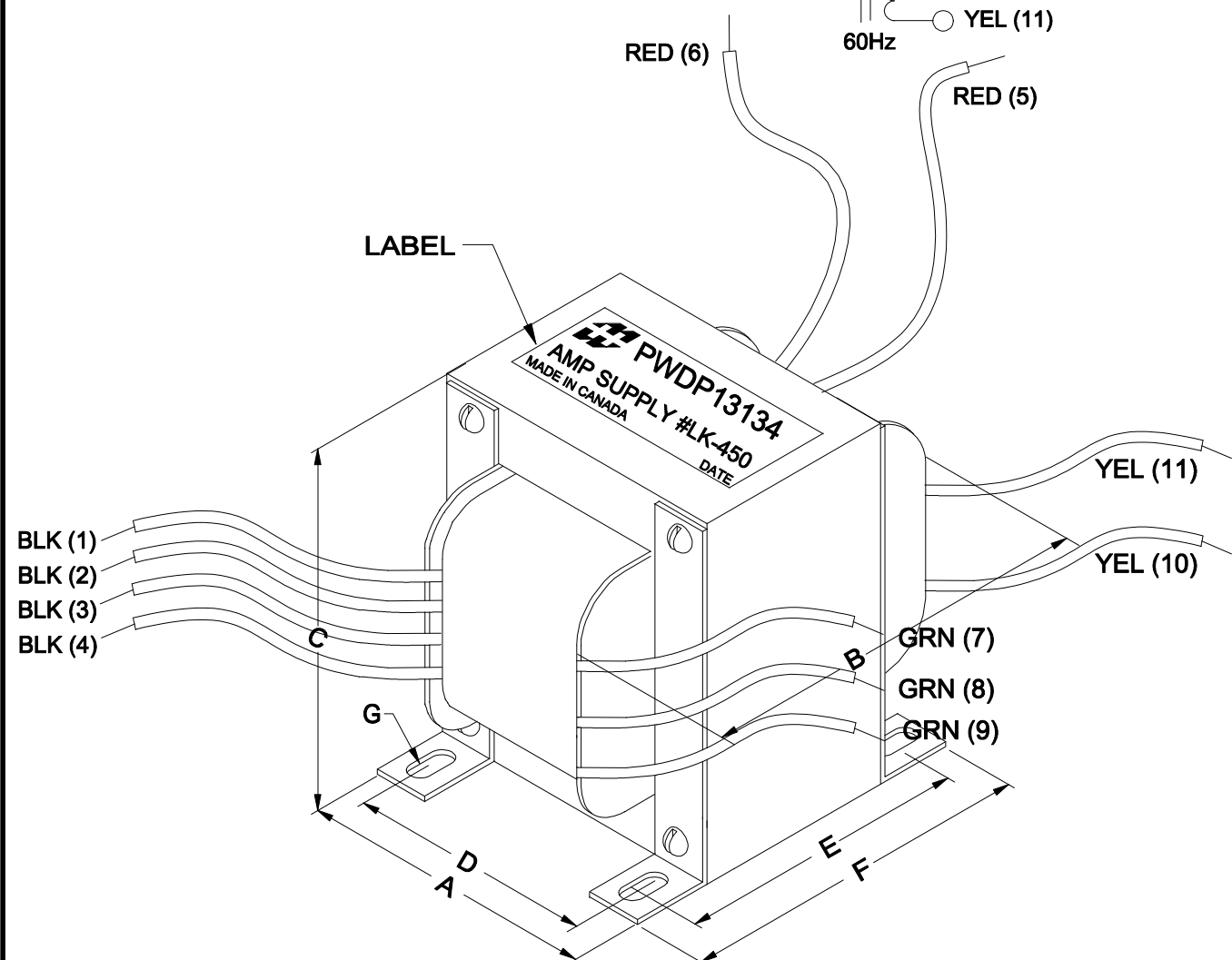
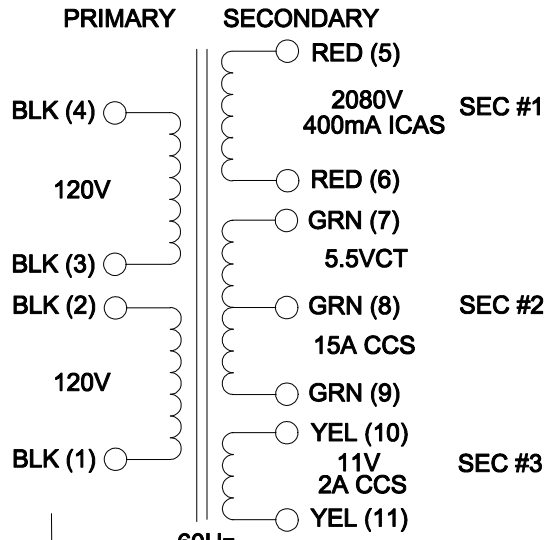


DIMENSIONS:	
A	4.375" ±0.063
B	5.250" ±0.125
C	5.250" ±0.063
D	3.500" ±0.063
E	3.626" ±0.063
F	4.750" ±0.063
G	0.281" x 0.563" ±0.015



NOTE: ALL LEADS 12.0" LONG MIN. STRIP 0.5".

HAMMOND MANUFACTURING
ELECTRONIC DIVISION
 52 RANKIN PLACE,
 WATERLOO, ONTARIO, N2J 3Z5
 PH # (519) 886-6181
 FAX # (519) 886-9540

TITLE				PWDP13134
AMP SUPPLY #LK-450				
NO	DATE	REVISION	DWG. BY	
0	12/11/17	RELEASED.	C.I.	
			DATE	
			12/11/17	
			DIM IN(X)MM()	