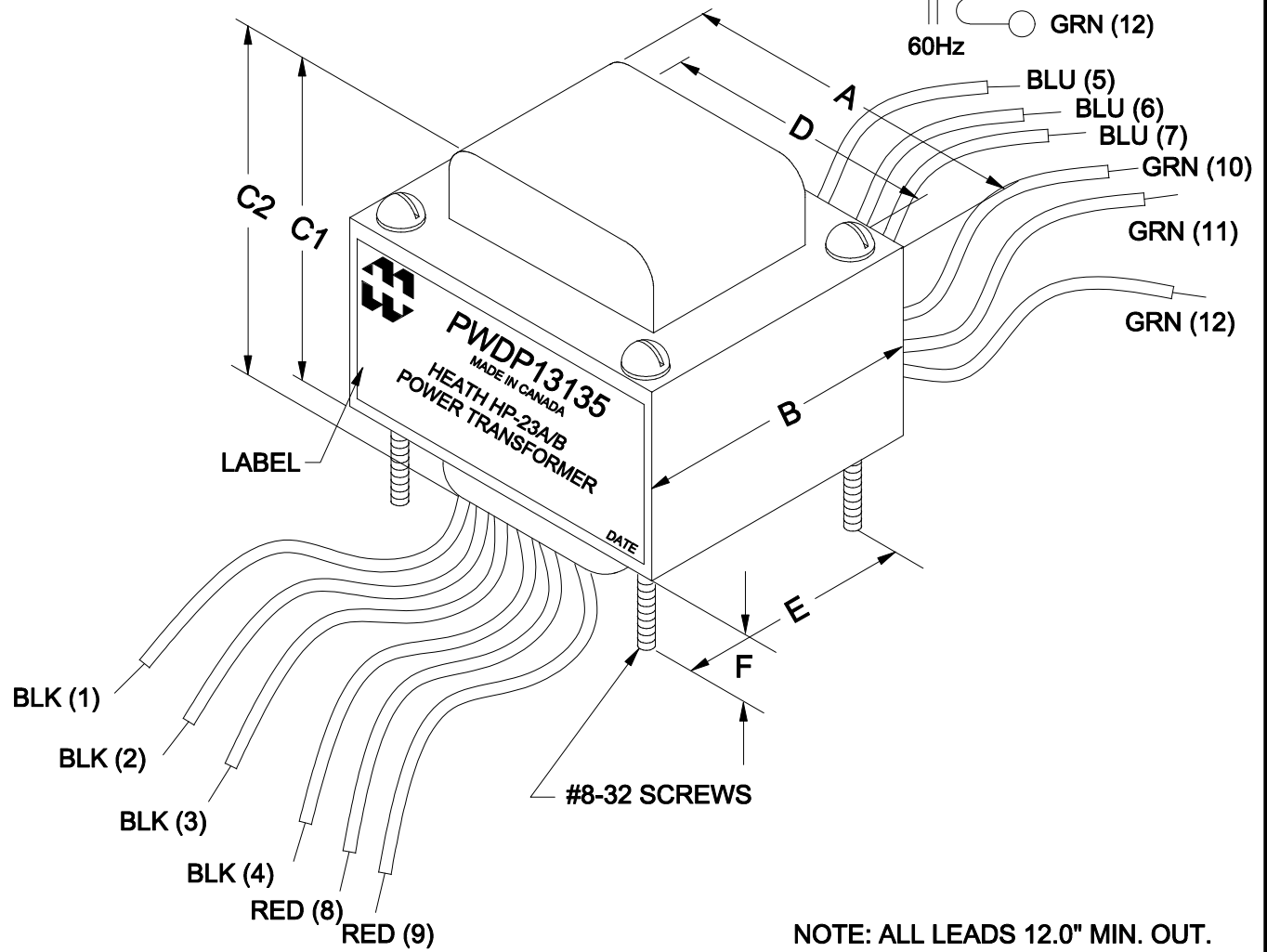
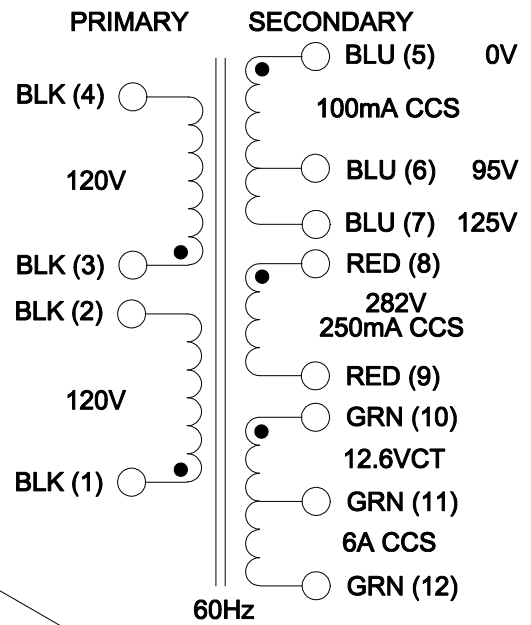


DIMENSIONS:	
A	4.125" ±0.063
B	3.438" ±0.063
C1	3.468" ±0.125
C2	4.281" ±0.125
D	3.438" ±0.063
E	2.750" ±0.063
F	0.750" ±0.063



NOTE: ALL LEADS 12.0" MIN. OUT.

HAMMOND MANUFACTURING
ELECTRONIC DIVISION
 52 RANKIN PLACE,
 WATERLOO, ONTARIO, N2J 3Z5
 PH # (519) 886-6181
 FAX # (519) 886-9540

TITLE		HEATH HP-23A/B POWER TRANSFORMER	
NO	DATE	REVISION	DWG. BY
0	12/12/17	RELEASED.	C.I.
1	07/20/18	ADDED POLARITY.	C.I.
			DATE
			12/12/17
			DIM IN(X)MM()

PWDP13135