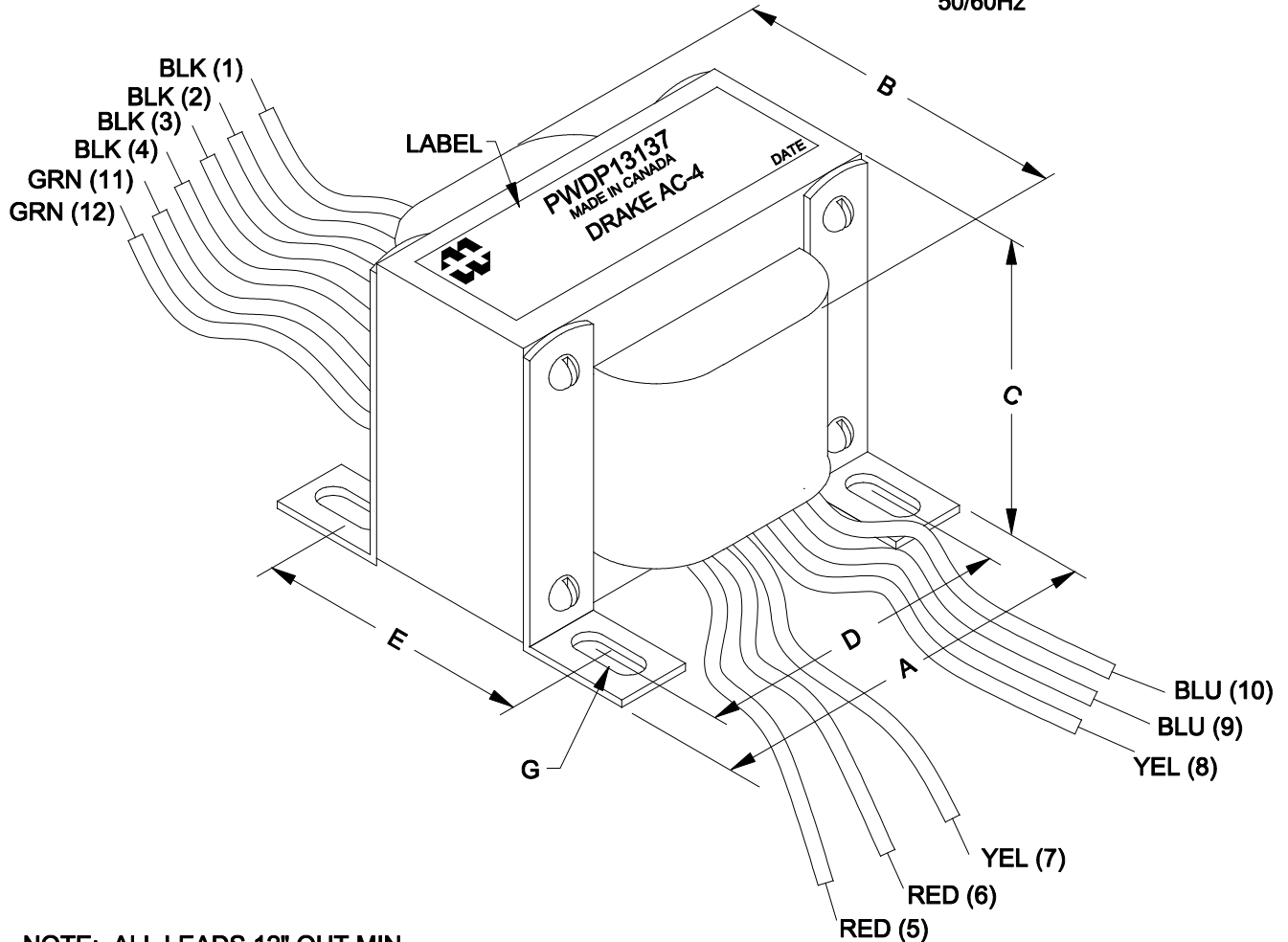
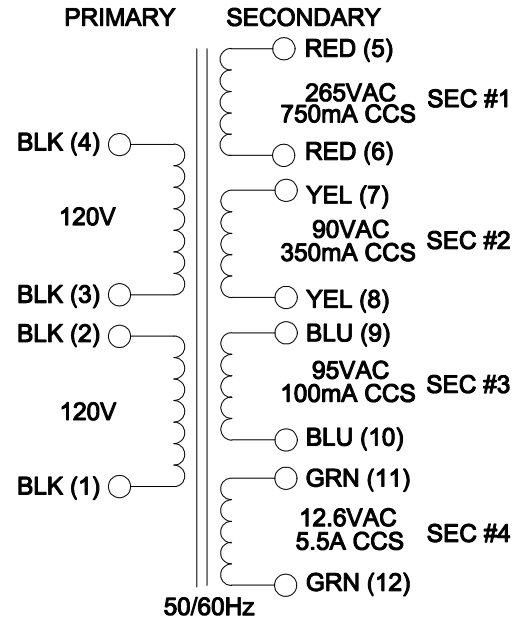


DIMENSIONS:	
A	4.500" ±0.063
B	4.500" ±0.125
C	3.750" ±0.063
D	3.750" ±0.063
E	3.750" ±0.063
G	0.203" X 0.375" ±0.015



NOTE: ALL LEADS 12" OUT MIN.



ELECTRONIC DIVISION
 52 RANKIN PLACE,
 WATERLOO, ONTARIO, N2J 3Z5
 PH # (519) 886-6181
 FAX # (519) 886-9540

TITLE
DRAKE AC-4

NO	DATE	REVISION	DWG. BY
0	01/21/20	RELEASED. C.I.	C. ILIE
1	01/31/20	REDESIGNED ON SMALLER FRAME. C.I.	DATE
			01/21/20
			DIM IN(X)MM()

PWDP13137