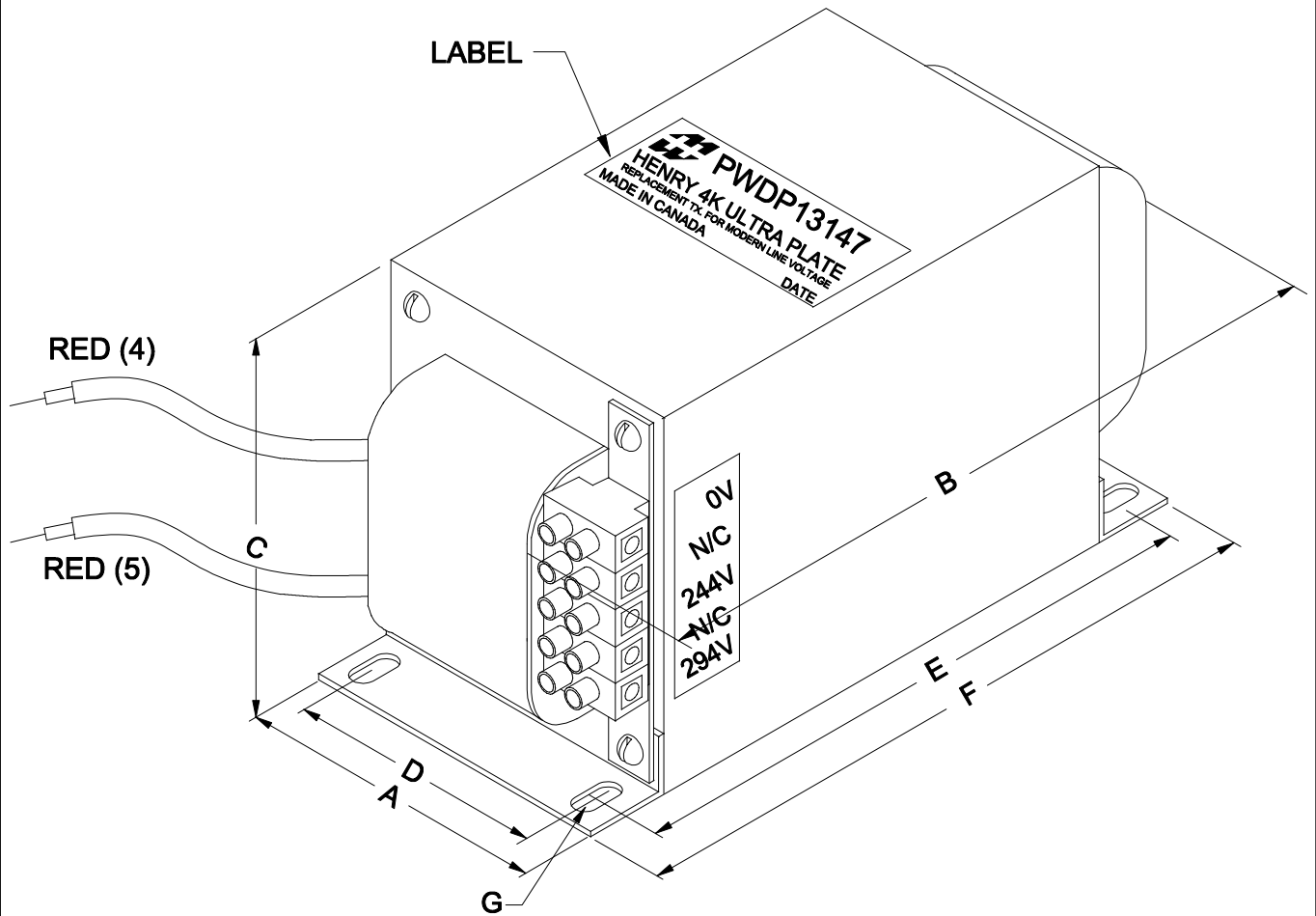
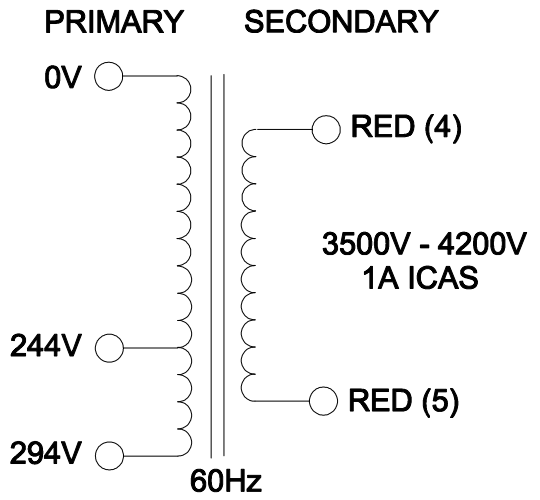


DIMENSIONS:	
A	6.250" ±0.063
B	8.750" ±0.250
C	7.500" ±0.063
D	5.500" ±0.063
E	7.000" ±0.063
F	8.000" ±0.063
G	0.281" X 0.563" ±0.015



NOTE: ALL LEADS 18.0" LONG OUT MIN.



**HAMMOND
MANUFACTURING**
ELECTRONIC DIVISION
52 RANKIN PLACE,
WATERLOO, ONTARIO, N2J 3Z5
PH # (519) 886-6181
FAX # (519) 886-9540

TITLE
HENRY 4K ULTRA PLATE
REPLACEMENT TRANSFORMER FOR MODERN LINE VOLTAGE

NO	DATE	REVISION	DWG. BY
0	07/26/18	RELEASED.	C. ILIE
1	08/14/18	REDESIGNED.	C.I.
2	08/31/18	ADDED TOUCH-SAFE TERMINAL BLOCK ON PRI. SIDE. C.I.	C.I.
			DATE
			07/26/18
			DIM IN(X)MM()

PWDP13147