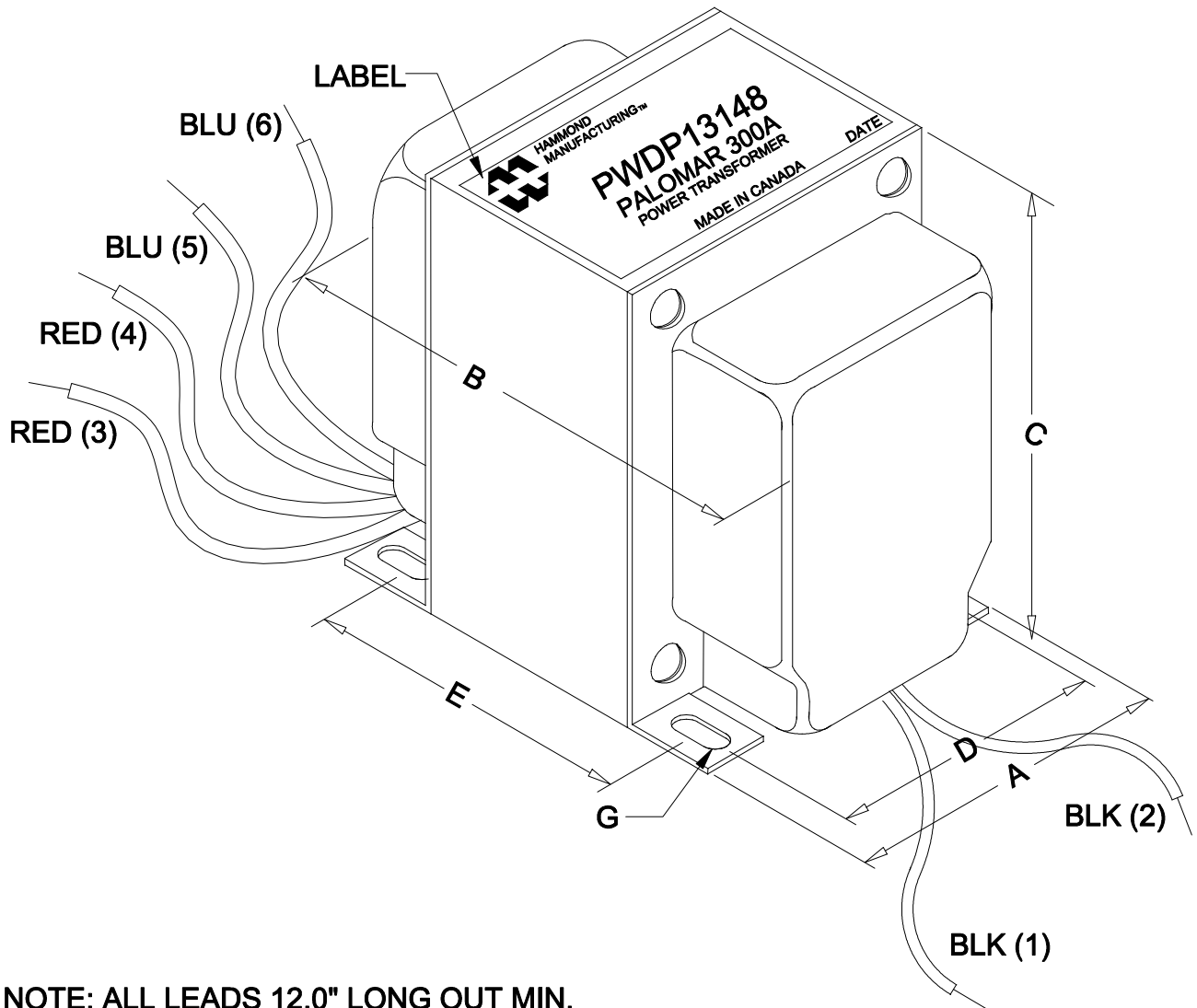
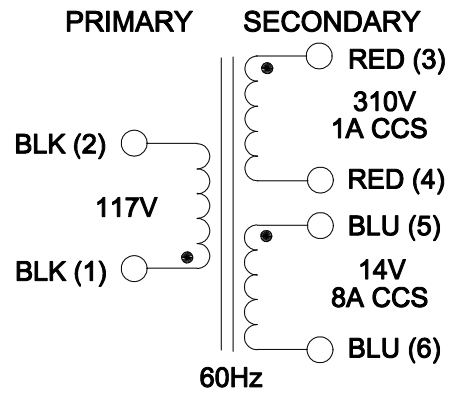


DIMENSIONS:	
A	3.750" ±0.063
B	4.935" ±0.125
C	4.530" ±0.063
D	3.000" ±0.063
E	3.813" ±0.063
G	0.203" X 0.375" ±0.015



NOTE: ALL LEADS 12.0" LONG OUT MIN.



ELECTRONIC DIVISION
52 RANKIN PLACE,
WATERLOO, ONTARIO, N2J 3Z5
PH # (519) 886-6181
FAX # (519) 886-9540

TITLE

**PALOMAR 300A
POWER TRANSFORMER**

NO	DATE	REVISION	DWG. BY
0	10/16/18	RELEASED. C.I.	C. ILIE
			DATE
			10/16/18
			DIM IN(X)MM()

PWDP13148