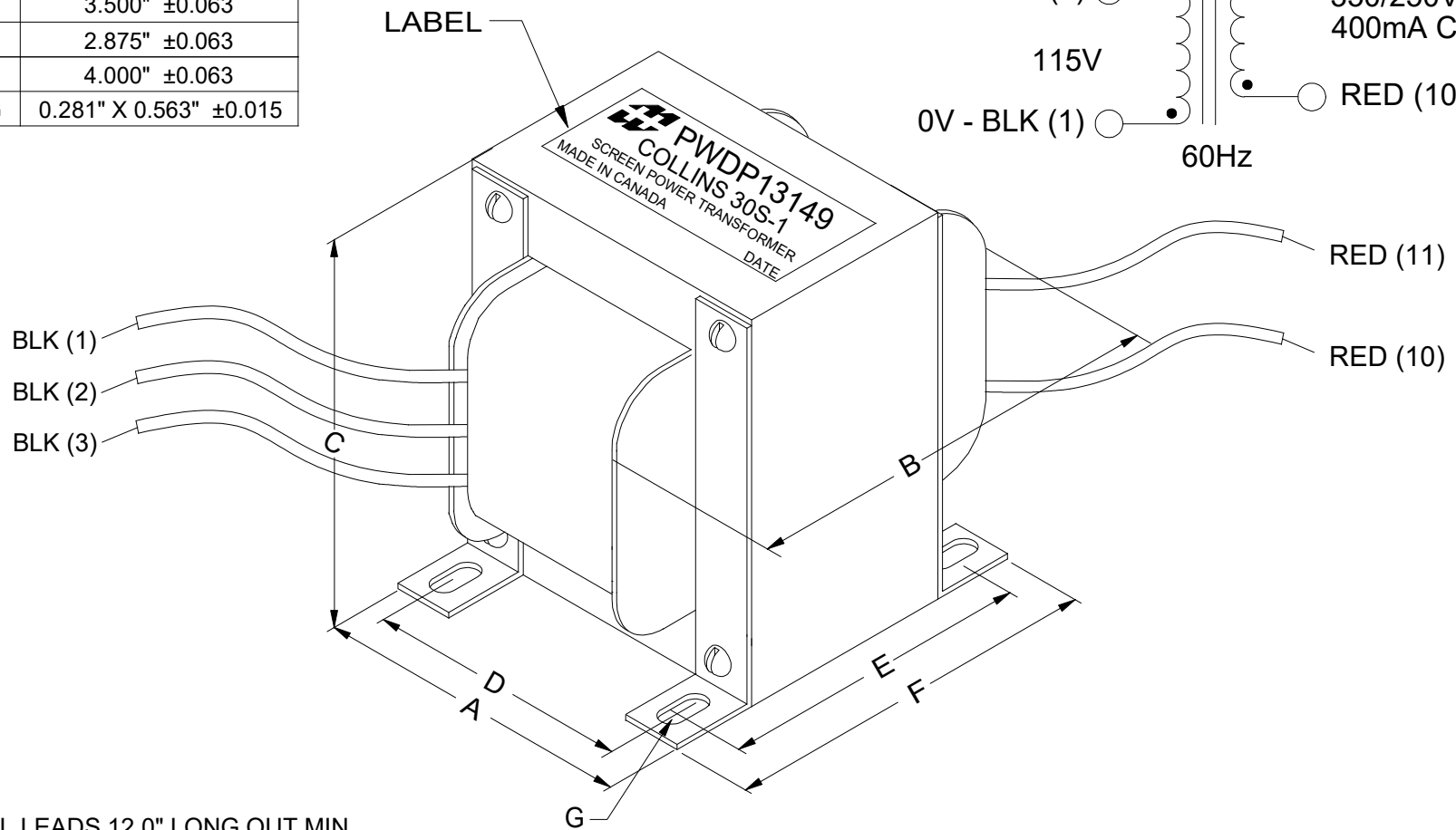
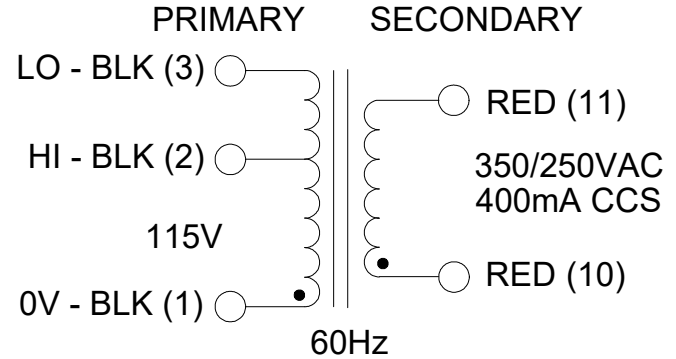


DIMENSIONS:	
A	4.375" ±0.063
B	4.450" ±0.125
C	5.250" ±0.063
D	3.500" ±0.063
E	2.875" ±0.063
F	4.000" ±0.063
G	0.281" X 0.563" ±0.015



NOTE: ALL LEADS 12.0" LONG OUT MIN.

REV.#	REVISION	DATE	HAMMOND MANUFACTURING		ELECTRONIC DIVISION	
0	RELEASED.	C.I. 03/20/24	52 RANKIN PLACE, WATERLOO, ONTARIO, N2J 3Z5		PH # (519) 886-6181	
					FAX # (519) 886-9540	
			DWG. BY: C. ILIE	CHK'D BY:	TITLE: POWER TRANSFORMER	DWG. NO. PWDP13149
			DATE: 03/20/24	APP'D. BY:		
				DIMENSIONS: IN(X) MM( )		