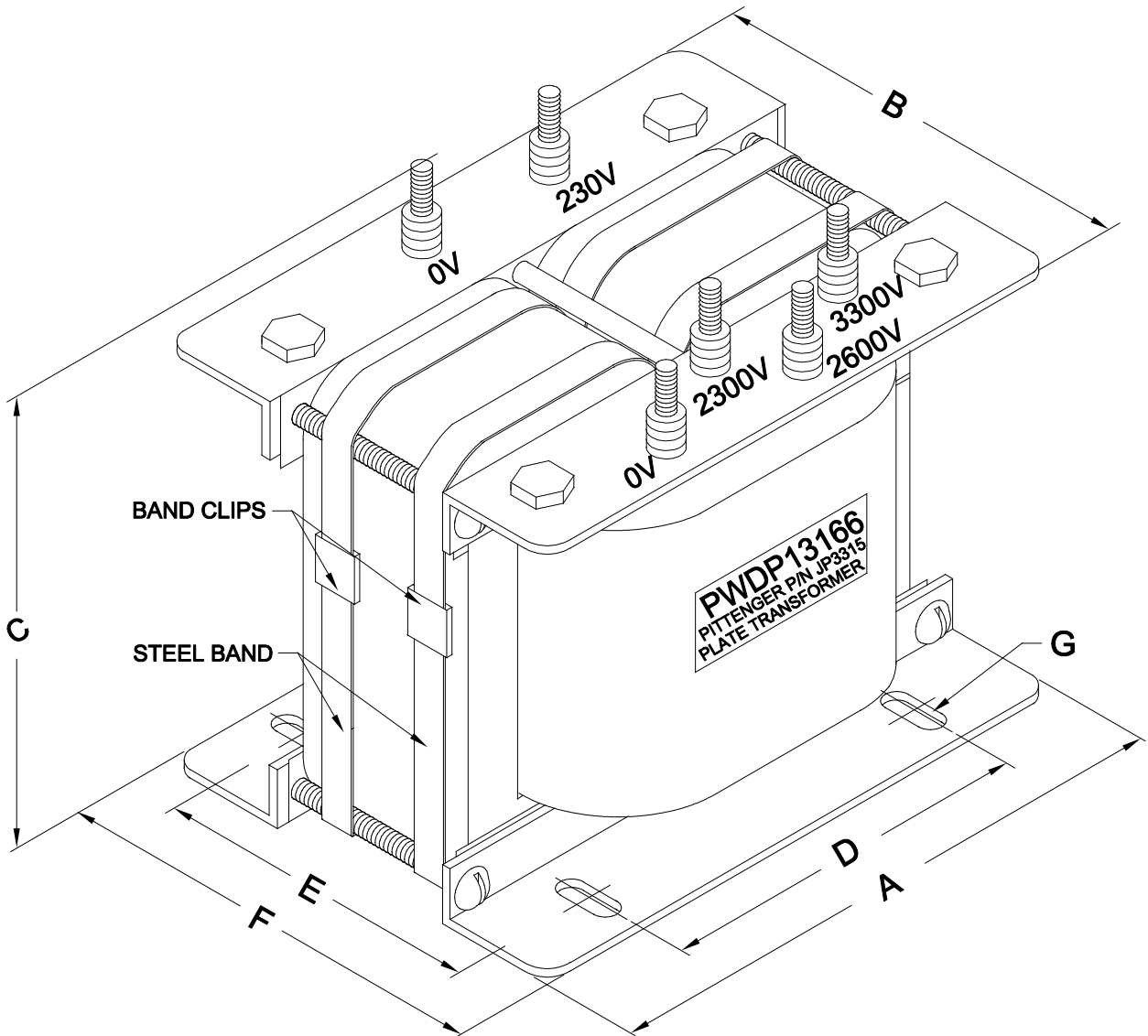
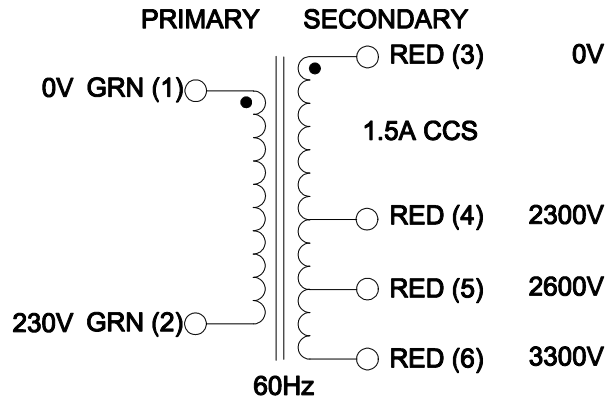


DIMENSIONS:	
A	8.750" ±0.063
B	8.825" ±0.125
C	10.67" ±0.063
D	6.250" ±0.063
E	4.500" ±0.063
F	5.625" ±0.063
G	0.313" X 0.531" ±0.015



**ELECTRONIC DIVISION**  
52 RANKIN PLACE,  
WATERLOO, ONTARIO, N2J 3Z5  
PH # (519) 886-6181  
FAX # (519) 886-9540

TITLE  
**PITTENGER P/N JP3315**  
(FOR J. PITTENGER 8877 AMP IN SEPT 86 QST)  
PLATE TRANSFORMER

NO	DATE	REVISION	DWG. BY
0	08/08/19	RELEASED.      C.I.	C. ILIE
			DATE
			08/08/19
			DIM IN(X)MM( )

PWDP13166