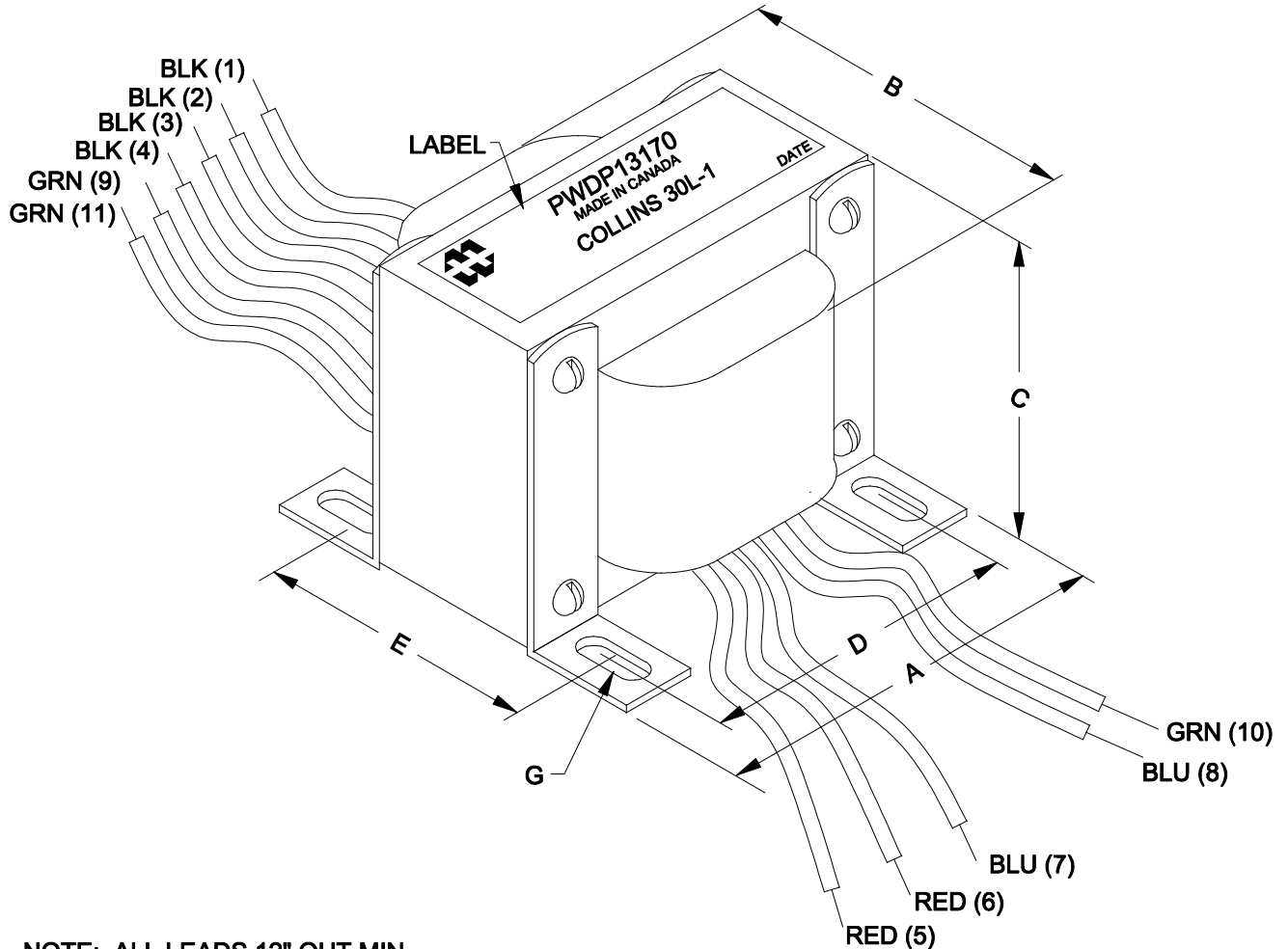
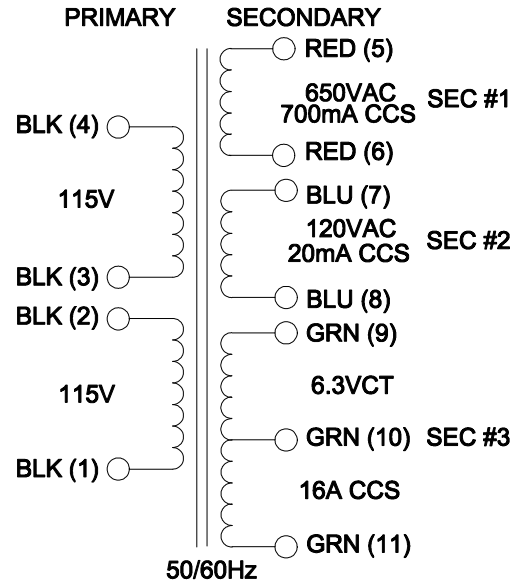


DIMENSIONS:	
A	5.250" ±0.063
B	5.250" ±0.125
C	4.375" ±0.063
D	4.375" ±0.063
E	4.126" ±0.063
G	0.281" X 0.563" ±0.015



NOTE: ALL LEADS 12" OUT MIN.



ELECTRONIC DIVISION
52 RANKIN PLACE,
WATERLOO, ONTARIO, N2J 3Z5
PH # (519) 886-6181
FAX # (519) 886-9540

TITLE

COLLINS 30L-1

NO	DATE	REVISION	DWG. BY
0	01/21/20	RELEASED.	C. ILIE
			DATE
			01/21/20
			DIM IN(X)MM()

PWDP13170