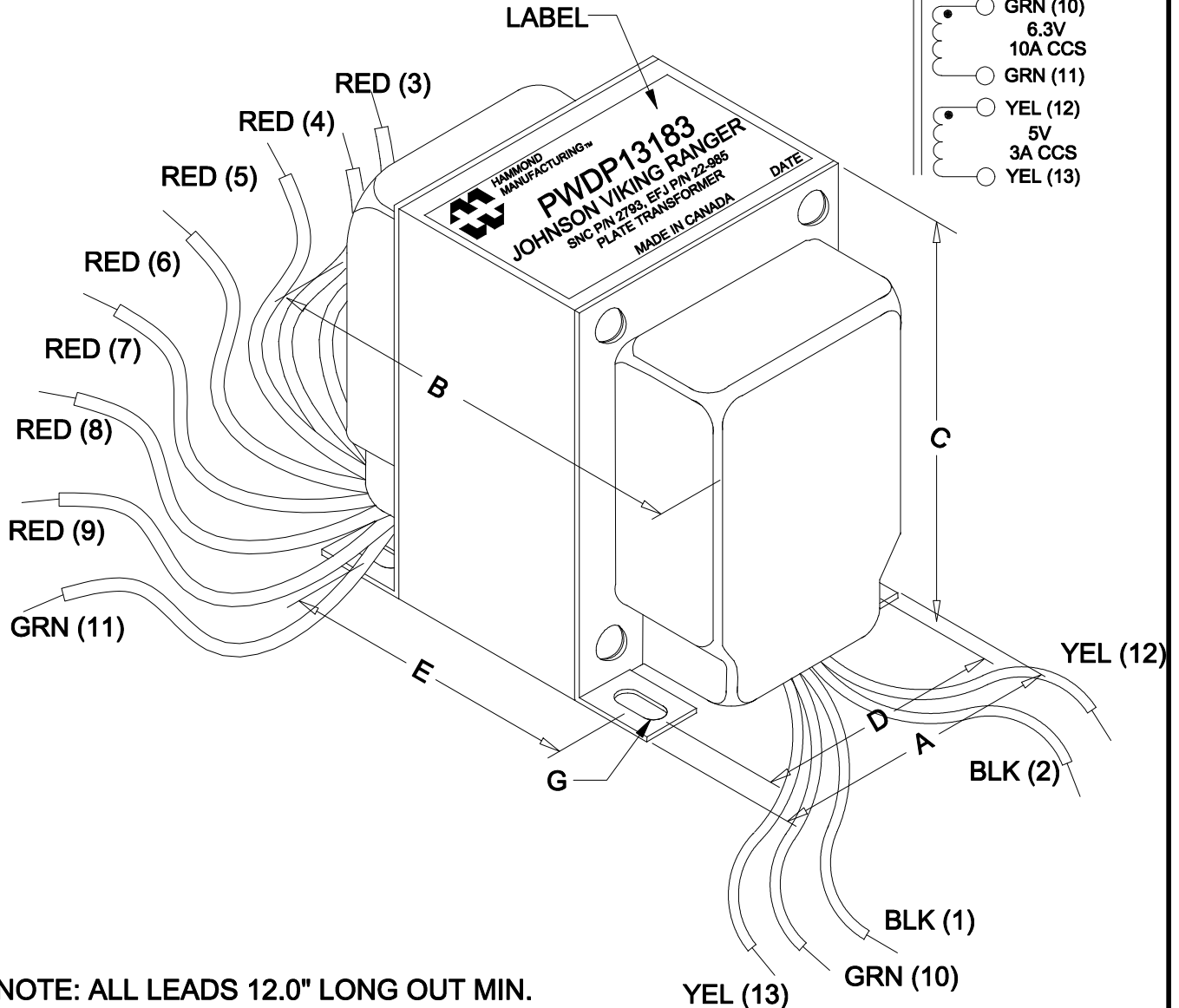
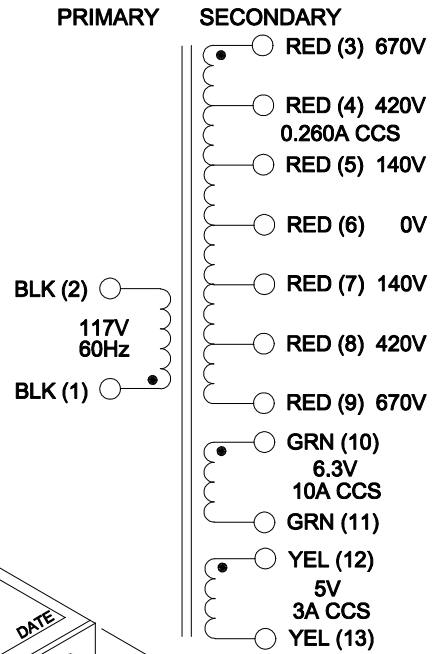


DIMENSIONS:	
A	3.750" ±0.063
B	4.935" ±0.125
C	4.530" ±0.063
D	3.000" ±0.063
E	3.813" ±0.063
G	0.203" X 0.375" ±0.015



NOTE: ALL LEADS 12.0" LONG OUT MIN.



ELECTRONIC DIVISION
 52 RANKIN PLACE,
 WATERLOO, ONTARIO, N2J 3Z5
 PH # (519) 886-6181
 FAX # (519) 886-9540

TITLE **JOHNSON VIKING RANGER PLATE**
 SNC P/N 2793, EFJ P/N 22.985
 PLATE TRANSFORMER

NO	DATE	REVISION	DWG. BY
0	02/04/20	RELEASED.	C.I.
			DATE
			02/04/20
			DIM IN(X)MM()

PWDp13183