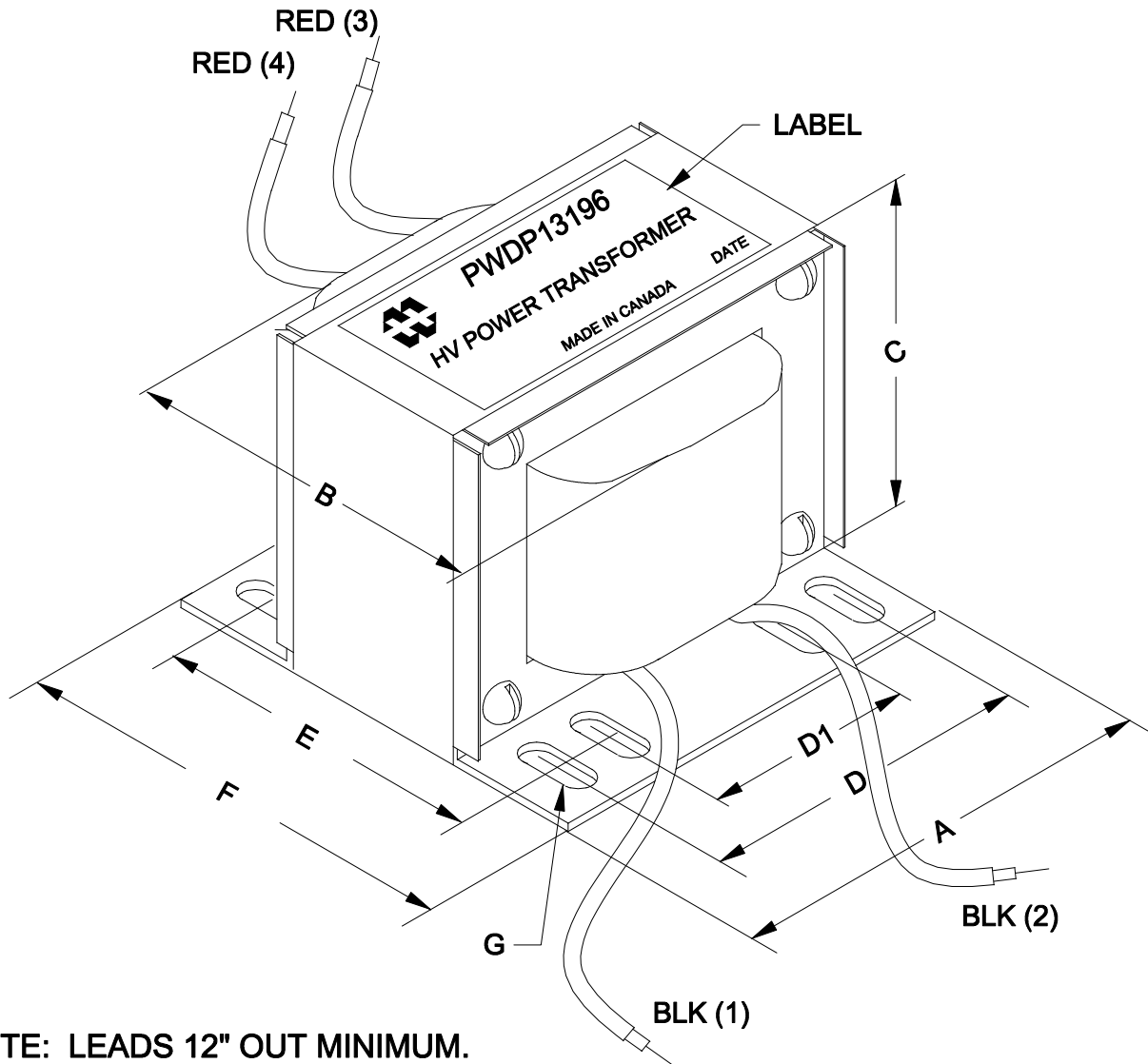
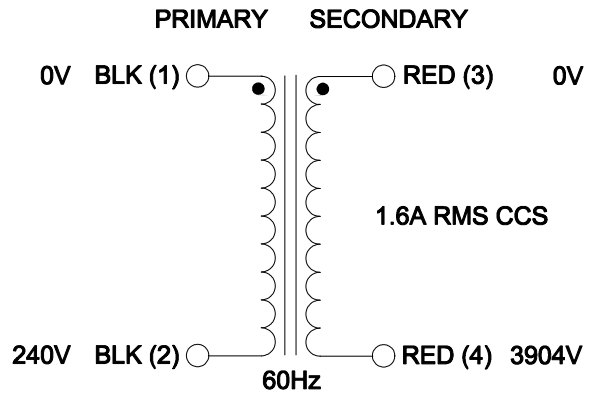


DIMENSIONS:	
A	9.000" ±0.125
B	8.750" ±0.250
C	7.625" ±0.125
D	7.000" ±0.125
D1	5.250" ±0.125
E	7.000" ±0.125
F	8.500" ±0.125
G	0.375" X 1.000" ±0.015



NOTE: LEADS 12" OUT MINIMUM.

HAMMOND
MANUFACTURING™

ELECTRONIC DIVISION
52 RANKIN PLACE,
WATERLOO, ONTARIO, N2J 3Z5
PH # (519) 886-6181
FAX # (519) 886-9540

TITLE
HV POWER TRANSFORMER

NO	DATE	REVISION	DWG. BY
0	06/25/20	RELEASED.	C. ILIE
			DATE
			06/25/20
			DIM IN(X)MM()

PWDP13196