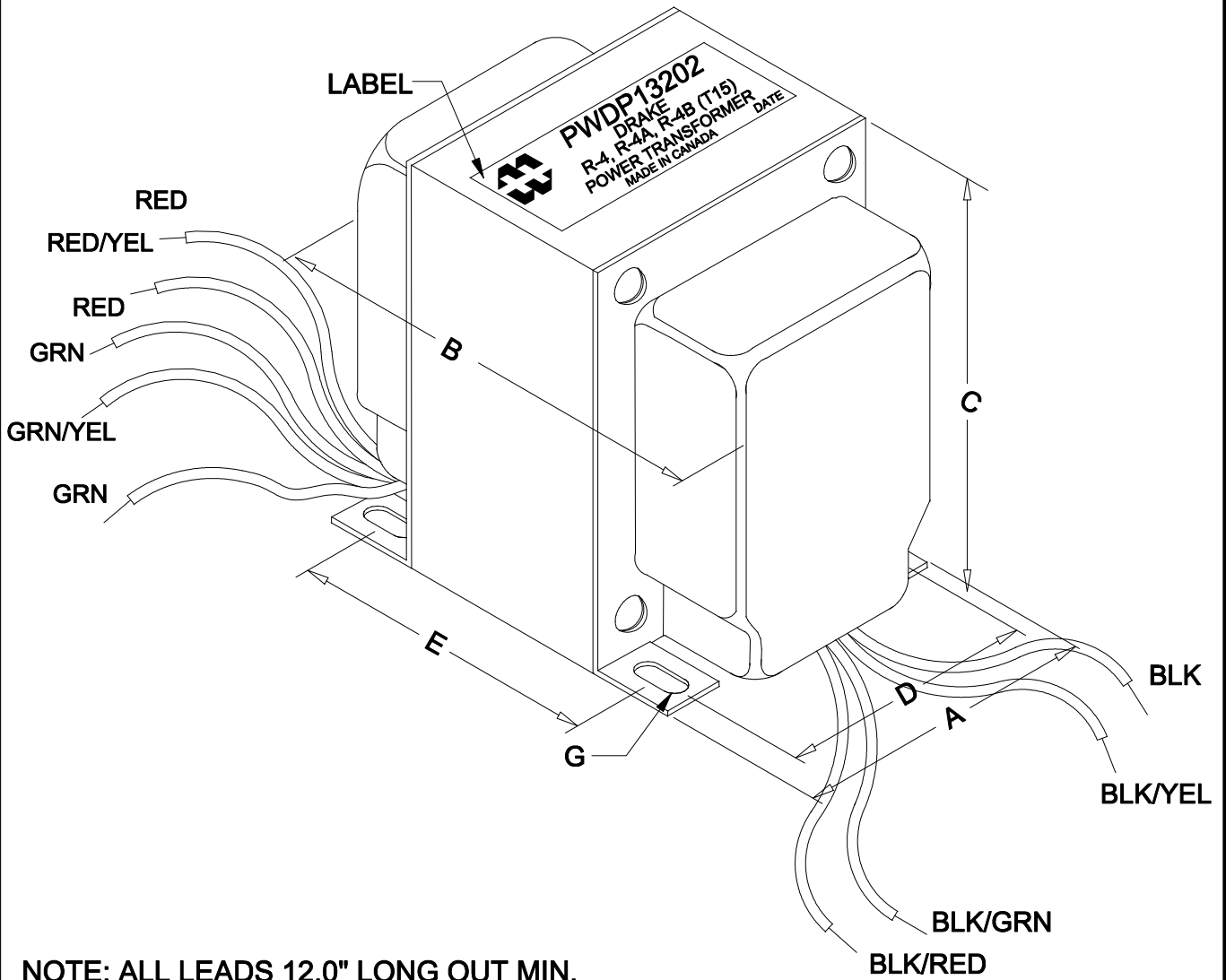
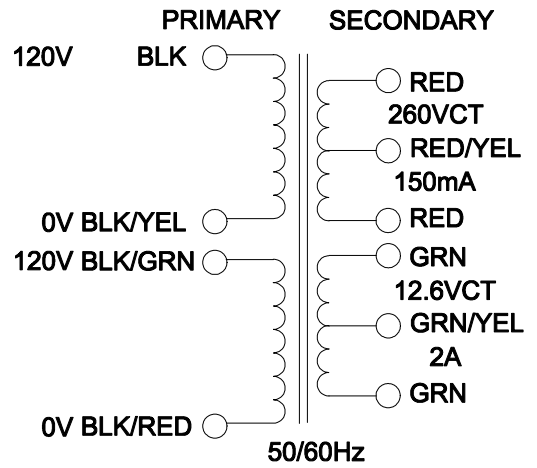


DIMENSIONS:	
A	2.500" ±0.063
B	3.185" ±0.125
C	3.046" ±0.063
D	2.000" ±0.063
E	2.188" ±0.063
G	0.203" X 0.375" ±0.015



NOTE: ALL LEADS 12.0" LONG OUT MIN.



ELECTRONIC DIVISION
52 RANKIN PLACE,
WATERLOO, ONTARIO, N2J 3Z5
PH # (519) 886-6181
FAX # (519) 886-9540

TITLE
DRAKE R-4, R-4A, R-4B (T15)
POWER TRANSFORMER

NO	DATE	REVISION	DWG. BY
0	06/29/20	RELEASED.	C. ILIE
1	06/30/20	ADDED DRAKE MODELS.	C.I.
			DATE
			06/29/20
			DIM IN(X)MM()

PWDP13202