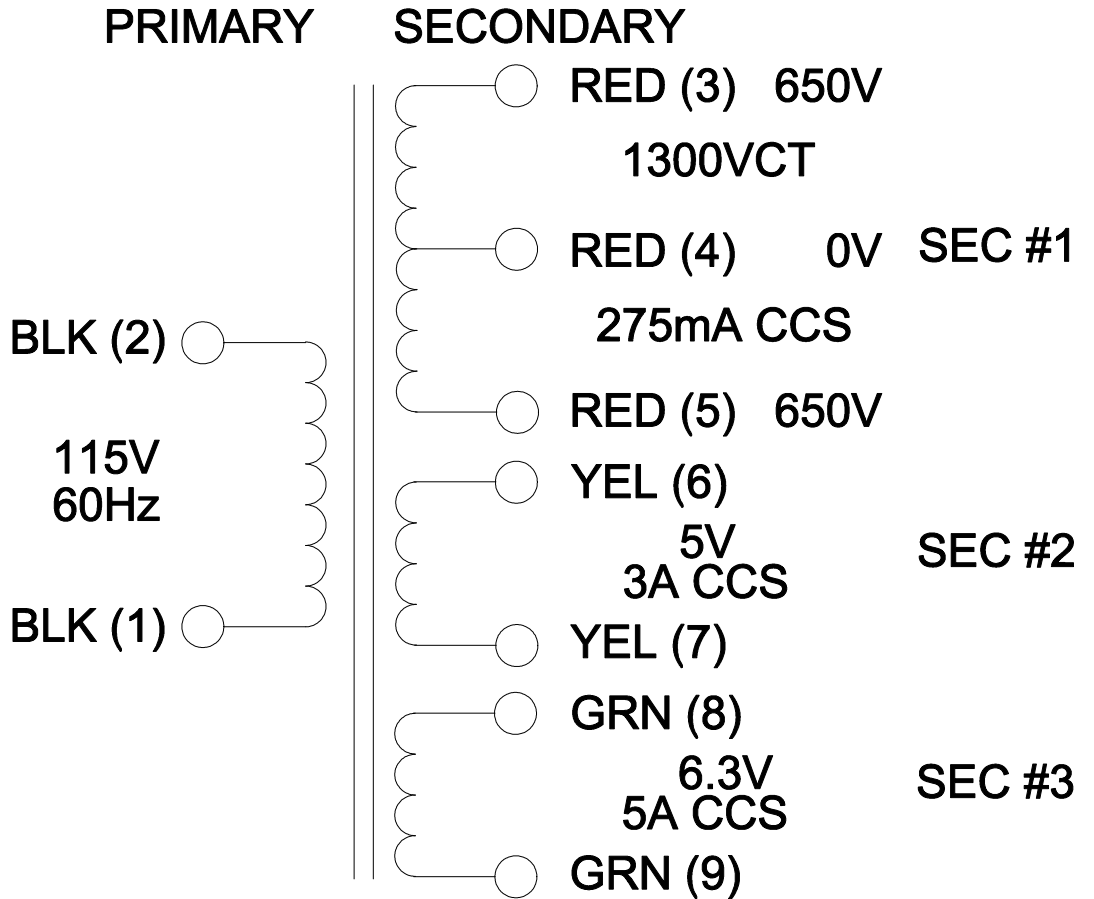


SCHEMATIC DIAGRAM



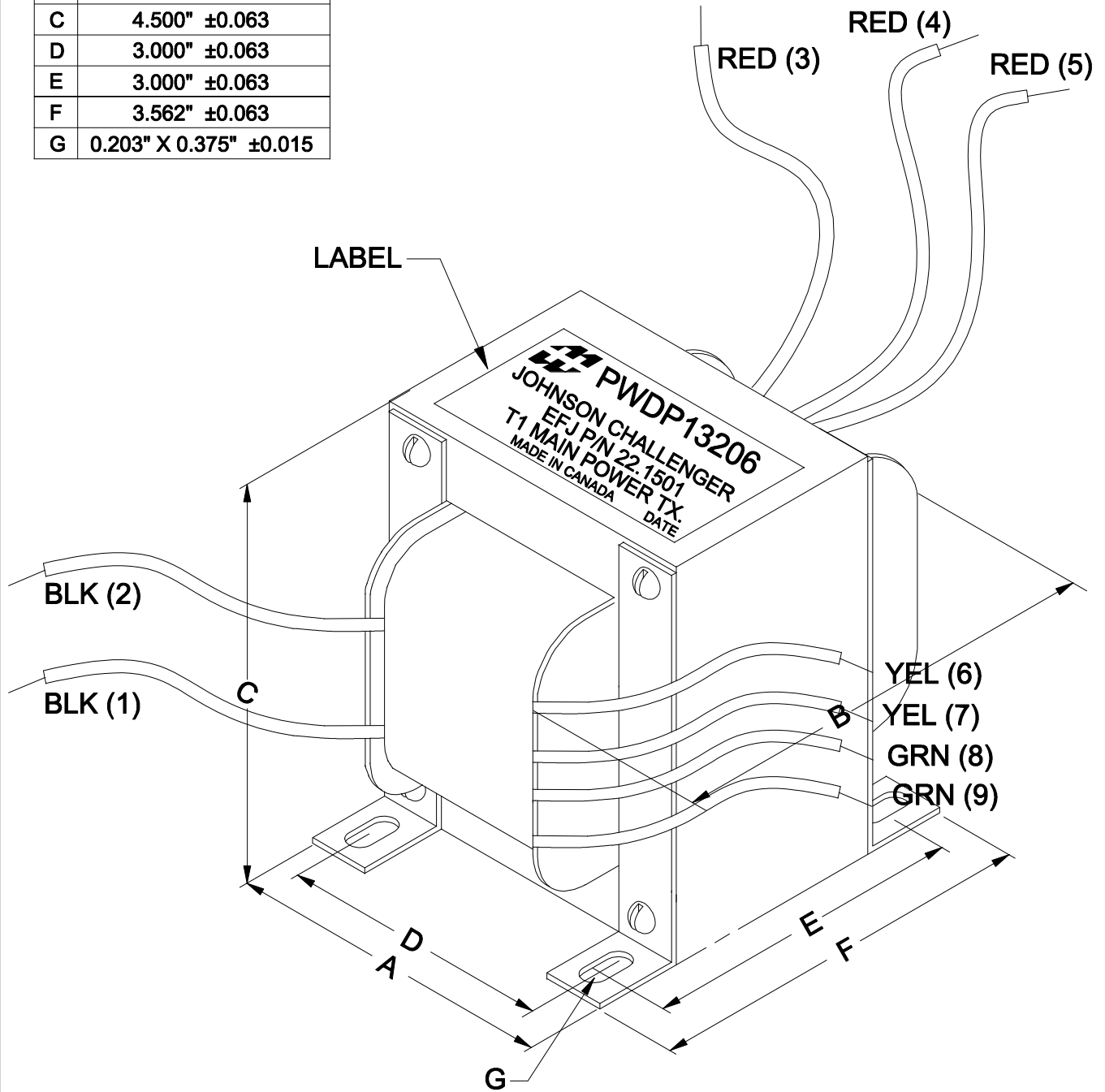
ELECTRONIC DIVISION
 52 RANKIN PLACE,
 WATERLOO, ONTARIO, N2J 3Z5
 PH # (519) 886-6181
 FAX # (519) 886-9540

TITLE **JOHNSON CHALLENGER**
 EFJ P/N 22.1501
 T1 MAIN POWER TRANSFORMER

NO	DATE	REVISION	DWG. BY
0	08/17/20	RELEASED. C.I.	C. ILIE
			DATE 08/17/20
			DIM IN(X)MM()

PWD/P13206

DIMENSIONS:	
A	3.750" ±0.063
B	3.688" ±0.125
C	4.500" ±0.063
D	3.000" ±0.063
E	3.000" ±0.063
F	3.562" ±0.063
G	0.203" X 0.375" ±0.015



NOTE: ALL LEADS 12.0" LONG OUT MIN.



ELECTRONIC DIVISION
 52 RANKIN PLACE,
 WATERLOO, ONTARIO, N2J 3Z5
 PH # (519) 886-6181
 FAX # (519) 886-9540

TITLE
JOHNSON CHALLENGER
 EFJ P/N 22.1501
 T1 MAIN POWER TRANSFORMER

NO	DATE	REVISION	DWG. BY
0	08/17/20	RELEASED.	C. ILIE
			DATE
			08/17/20
			DIM IN(X)MM()

PWDP13206