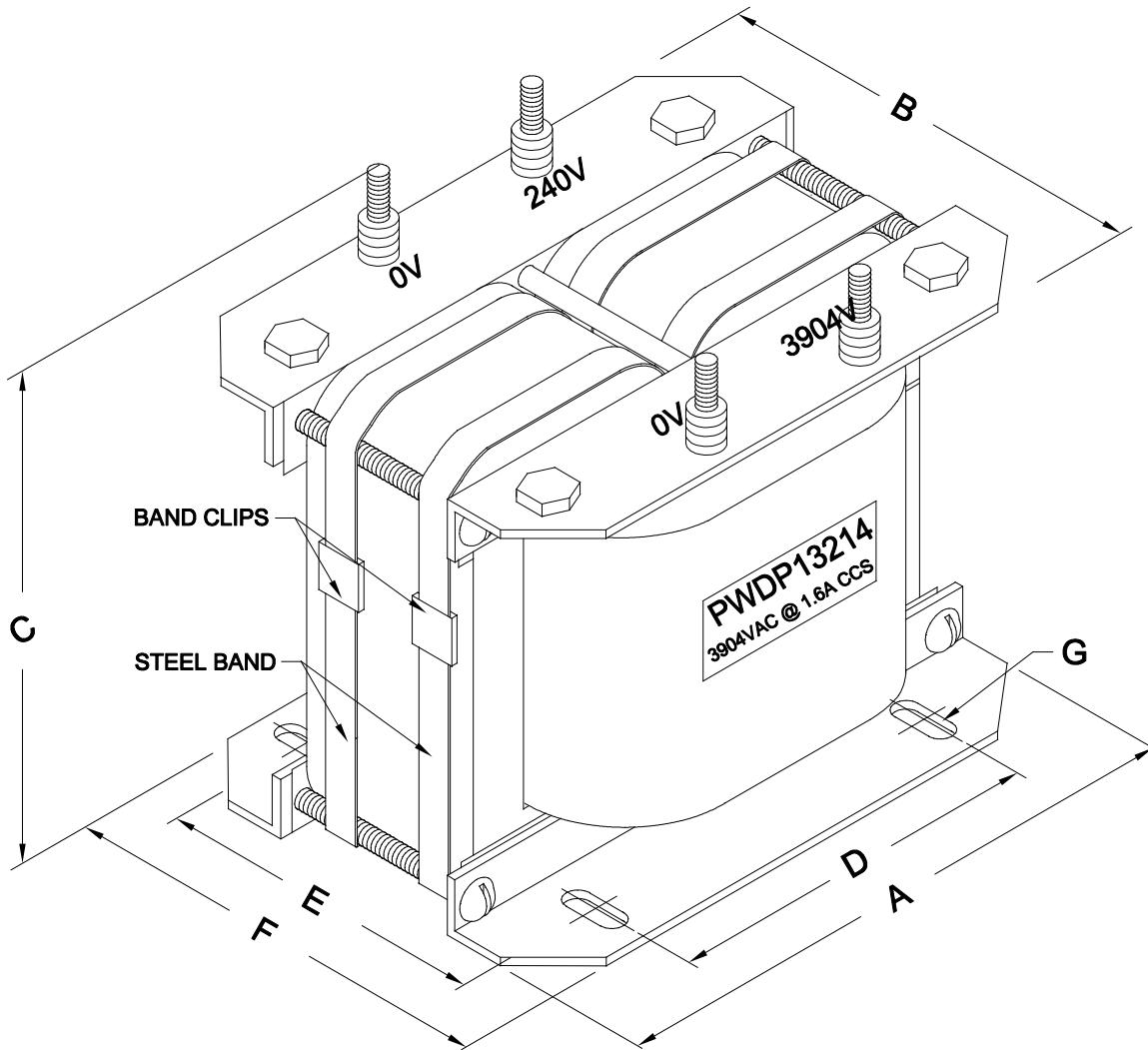
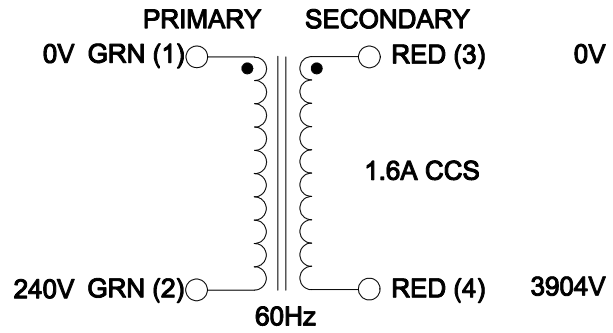


DIMENSIONS:	
A	9.750" ±0.063
B	6.375" ±0.125
C	11.00" ±0.063
D	6.438" ±0.063
E	5.000" ±0.063
F	6.375" ±0.063
G	0.313" X 0.625" ±0.015

APPROX. WEIGHT: 86LBS.



ELECTRONIC DIVISION
 52 RANKIN PLACE,
 WATERLOO, ONTARIO, N2J 3Z5
 PH # (519) 886-6181
 FAX # (519) 886-9540

TITLE

3904VAC @ 1.6A CCS

NO	DATE	REVISION	DWG. BY
0	10/28/20	RELEASED.	C. ILIE
1	10/30/20	3900V WAS 3930V.	C.I.
2	10/30/20	3904V WAS 3900V.	C.I.
			DATE
			10/28/20
			DIM IN(X)MM()

EDBPWDP13214