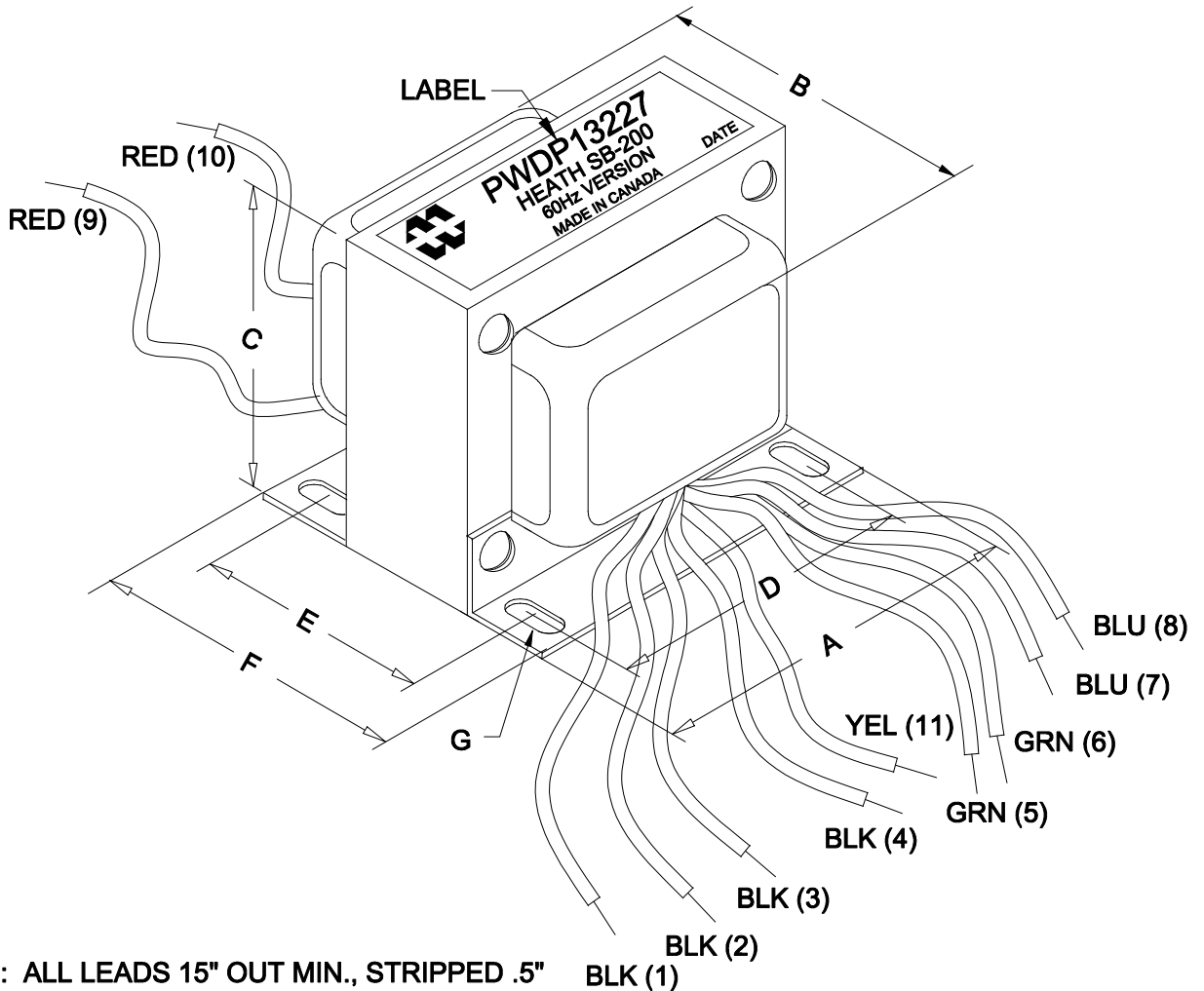
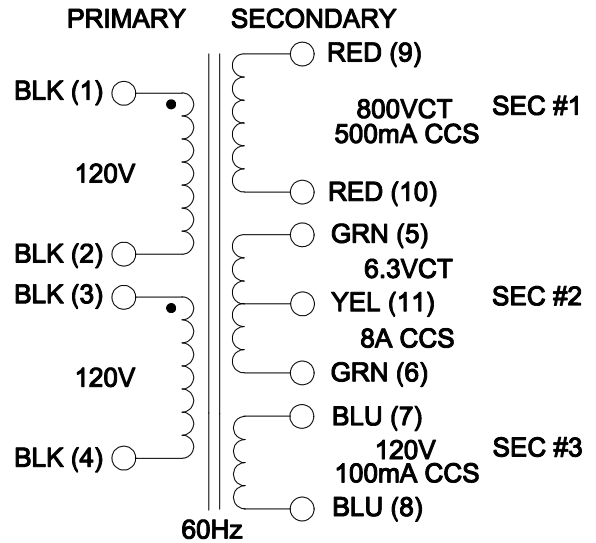


DIMENSIONS:	
A	5.250" ±0.063
B	5.200" MAX.
C	4.375" ±0.063
D	4.500" ±0.063
E	3.625" ±0.063
F	4.375" ±0.063
G	0.312" X 0.500" ±0.015



NOTE: ALL LEADS 15" OUT MIN., STRIPPED .5"



**ELECTRONIC DIVISION**  
 52 RANKIN PLACE,  
 WATERLOO, ONTARIO, N2J 3Z5  
 PH # (519) 886-6181  
 FAX # (519) 886-9540

TITLE  
**HEATH SB-200**  
 60Hz VERSION

NO	DATE	REVISION	DWG. BY
0	02/11/21	RELEASED.	C. ILIE
			DATE
			02/11/21
			DIM IN(X)MM( )

PWDP13227