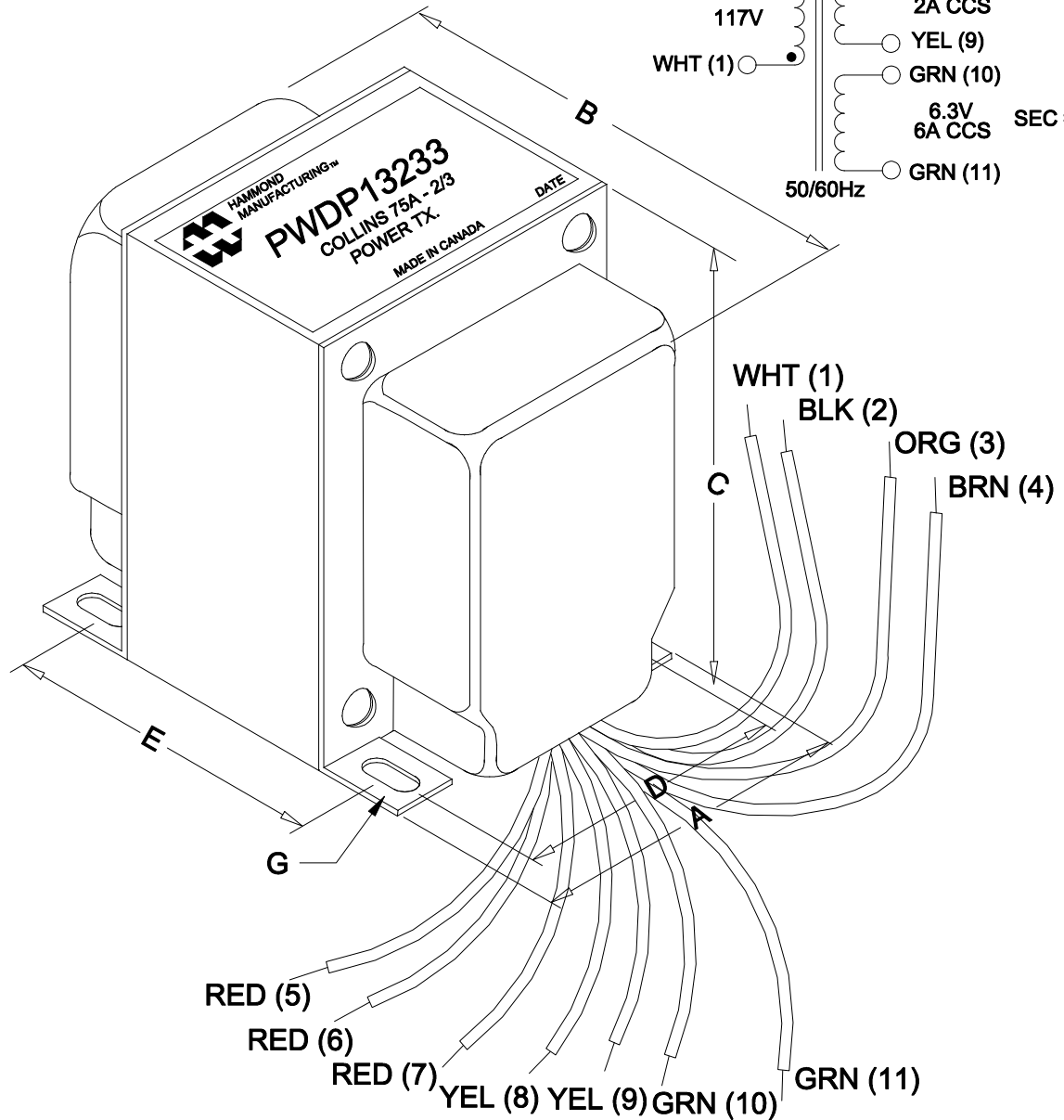
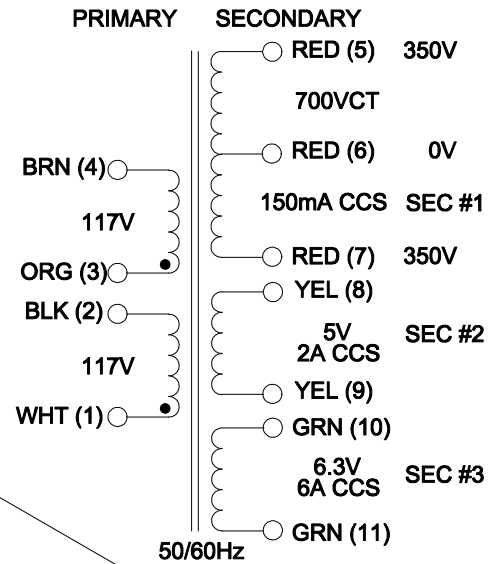


DIMENSIONS:	
A	3.125" ±0.063
B	3.936" ±0.125
C	3.795" ±0.063
D	2.500" ±0.063
E	2.688" ±0.063
G	0.203" X 0.400" ±0.015



NOTE: ALL LEADS 12.0" LONG MIN. STRIP 0.5".



**ELECTRONIC DIVISION**  
 52 RANKIN PLACE,  
 WATERLOO, ONTARIO, N2J 3Z5  
 PH # (519) 886-6181  
 FAX # (519) 886-9540

TITLE  
**COLLINS 75A-2/3**

NO	DATE	REVISION	DWG. BY
0	05/12/21	RELEASED.	C. ILIE
1	12/03/21	WAS SINGLE PRIMARY 60Hz.	C.I.
			DATE
			05/12/21
DIM IN(X)MM( )			

PWDP13233