

DIMENSIONS:	
A	3.750" ±0.063
B	4.435" ±0.125
C	4.530" ±0.063
D	3.000" ±0.063
E	3.313" ±0.063
G	0.203" X 0.375" ±0.015

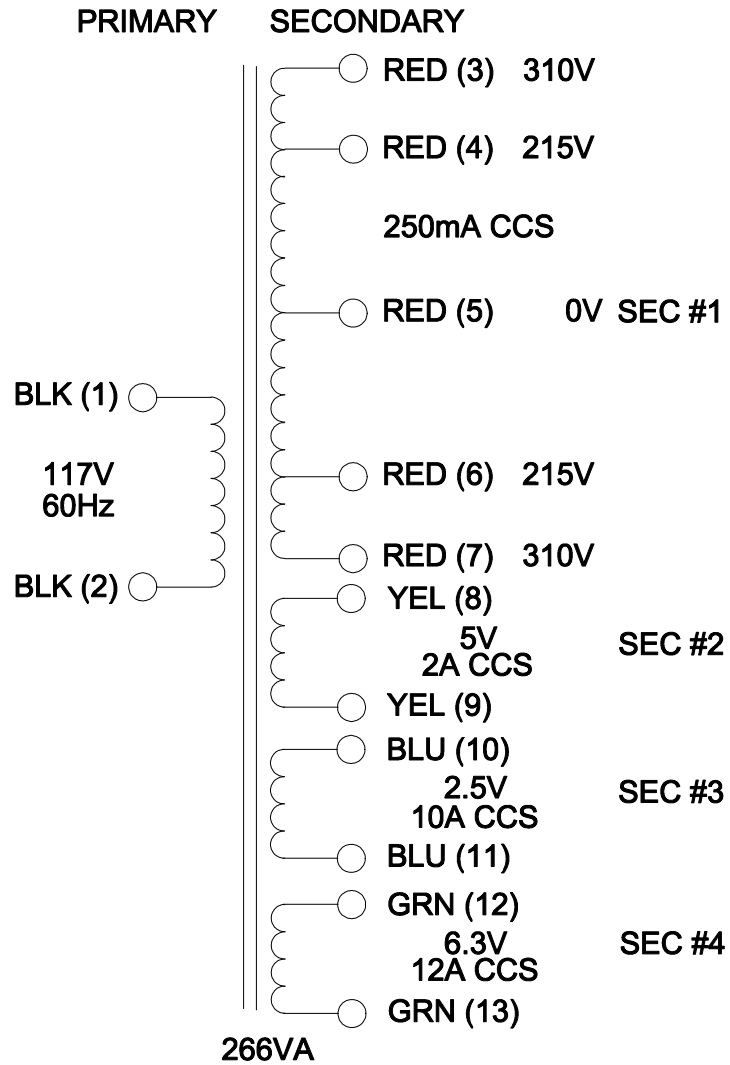
NOTE: ALL LEADS 12.0" LONG OUT MIN.



ELECTRONIC DIVISION
52 RANKIN PLACE,
WATERLOO, ONTARIO, N2J 3Z5
PH # (519) 886-6181
FAX # (519) 886-9540

TITLE			
JOHNSON VALIANT LV (T-2) SNC P/N3068			
NO	DATE	REVISION	DWG. BY
0	03/14/22	RELEASED.	C.I.
			DATE
			03/14/22
			DIM IN(X)MM()

PWDP13235



ELECTRONIC DIVISION
 52 RANKIN PLACE,
 WATERLOO, ONTARIO, N2J 3Z5
 PH # (519) 886-6181
 FAX # (519) 886-9540

TITLE
**JOHNSON VALIANT LV
 (T-2) SNC P/N3068**

NO	DATE	REVISION	DWG. BY
0	03/14/22	RELEASED. C.I.	C. ILIE
			DATE
			03/14/22
			DIM IN(X)MM()

PWDP13235