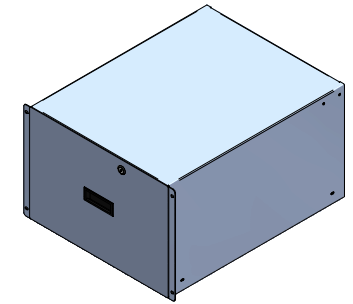
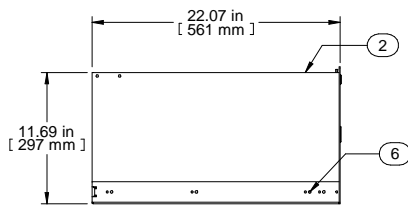


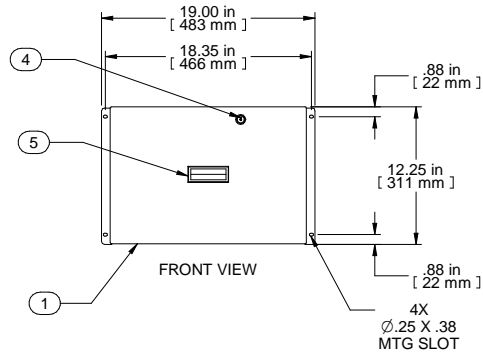
TOP VIEW



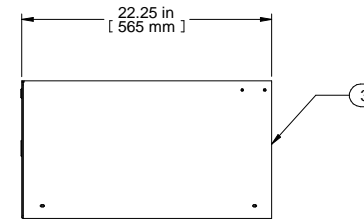
ISOMETRIC



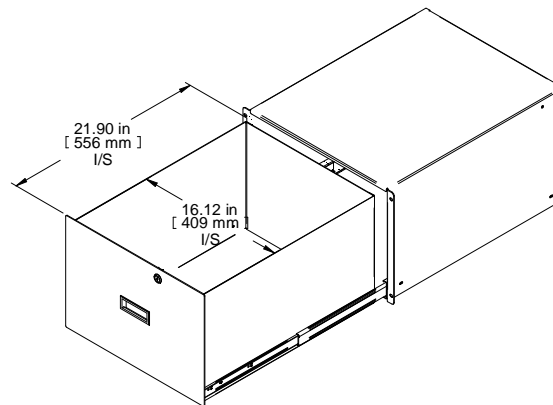
SIDE VIEW
WITHOUT SHROUD



FRONT VIEW



R.S. VIEW



Item Number	Title	Quantity
1	RDRW - DRAWER PLATE	1
2	RDRW - DRAWER BODY	1
3	RDRW - DRAWER SHROUD	1
4	LOC KEY-LOCK WITH NUT H-7.5 MM	1
5	PLASTIC HANDLE	1
6	SLIDE 22" FULL TRAVEL	2

PART NUMBERS

RDRW1901222BK1 PAINTED BLACK TEXTURED
 RDRW1901222LG1 PAINTED RAL7035 TEXTURED

NOTES

Maximum Weight 60lb No Rear Support
 Maximum Weight 120lb Rear Supported
 Mounting Hardware Included

Français

Pour tous les détails sur nos produits,
 svp veuillez consulter notre site www.hammondmfg.com
 Data subject to change without notice. Isometric drawing not to scale.
 Les données sont sujettes à changement sans préavis.

