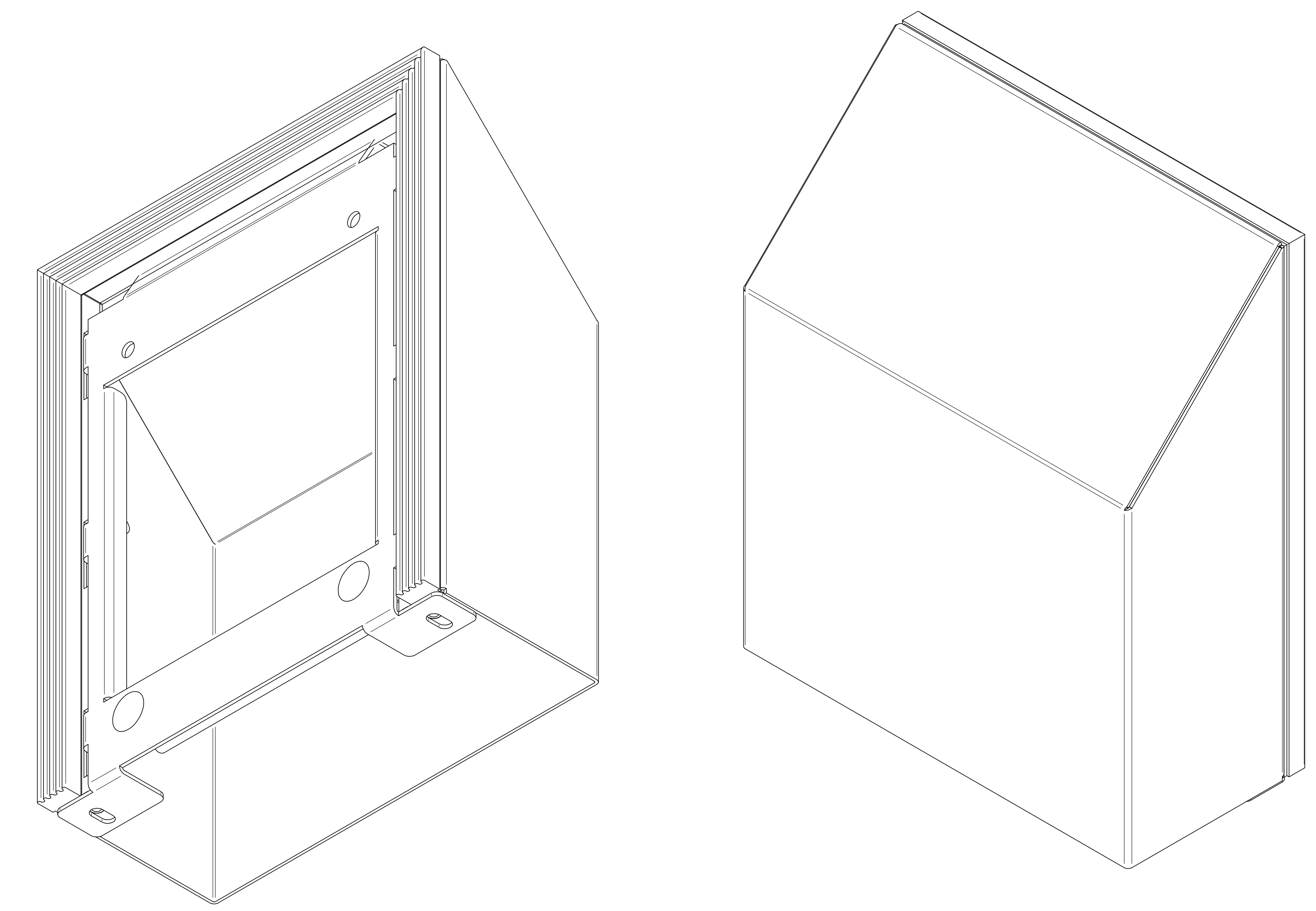
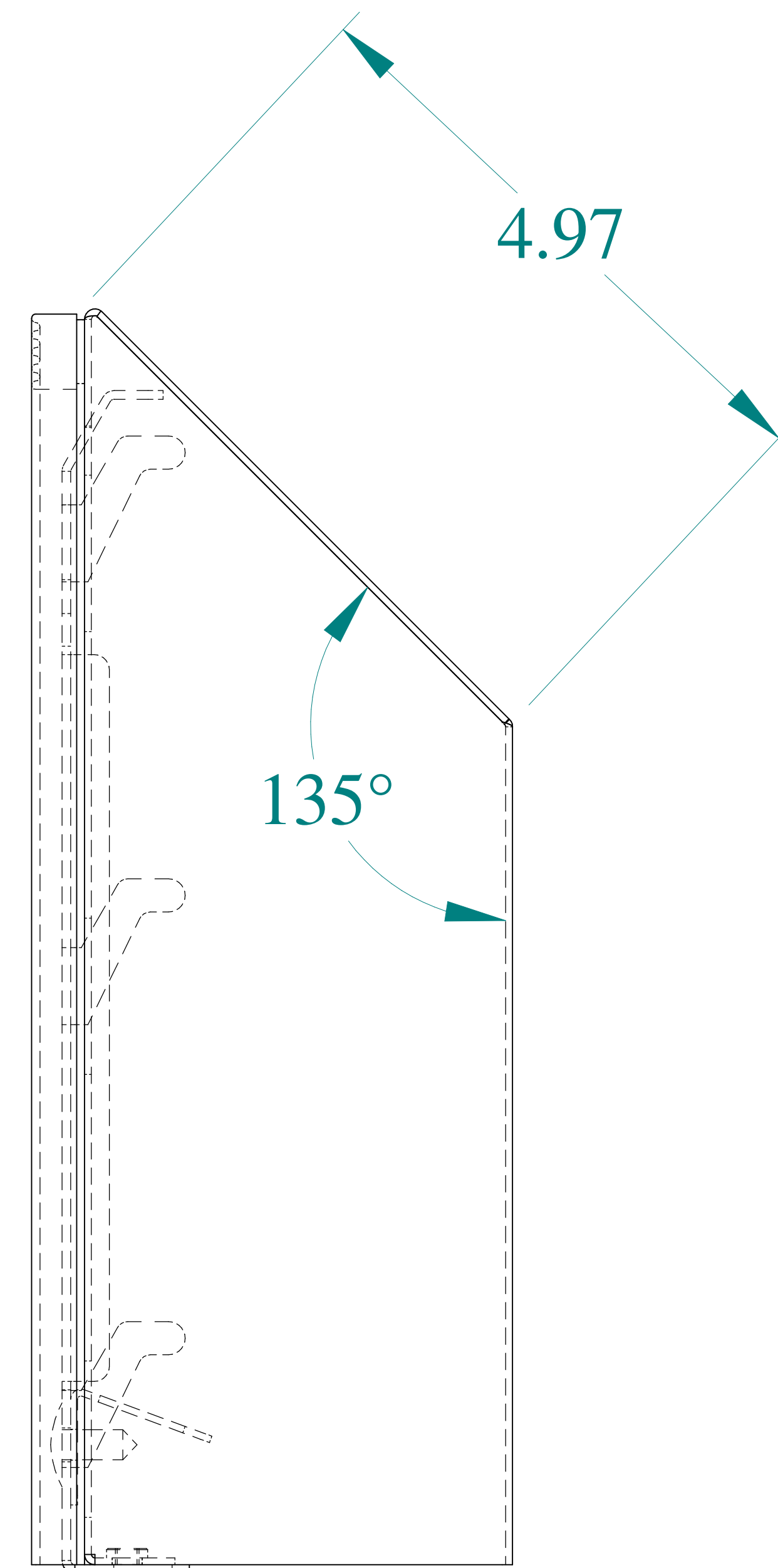


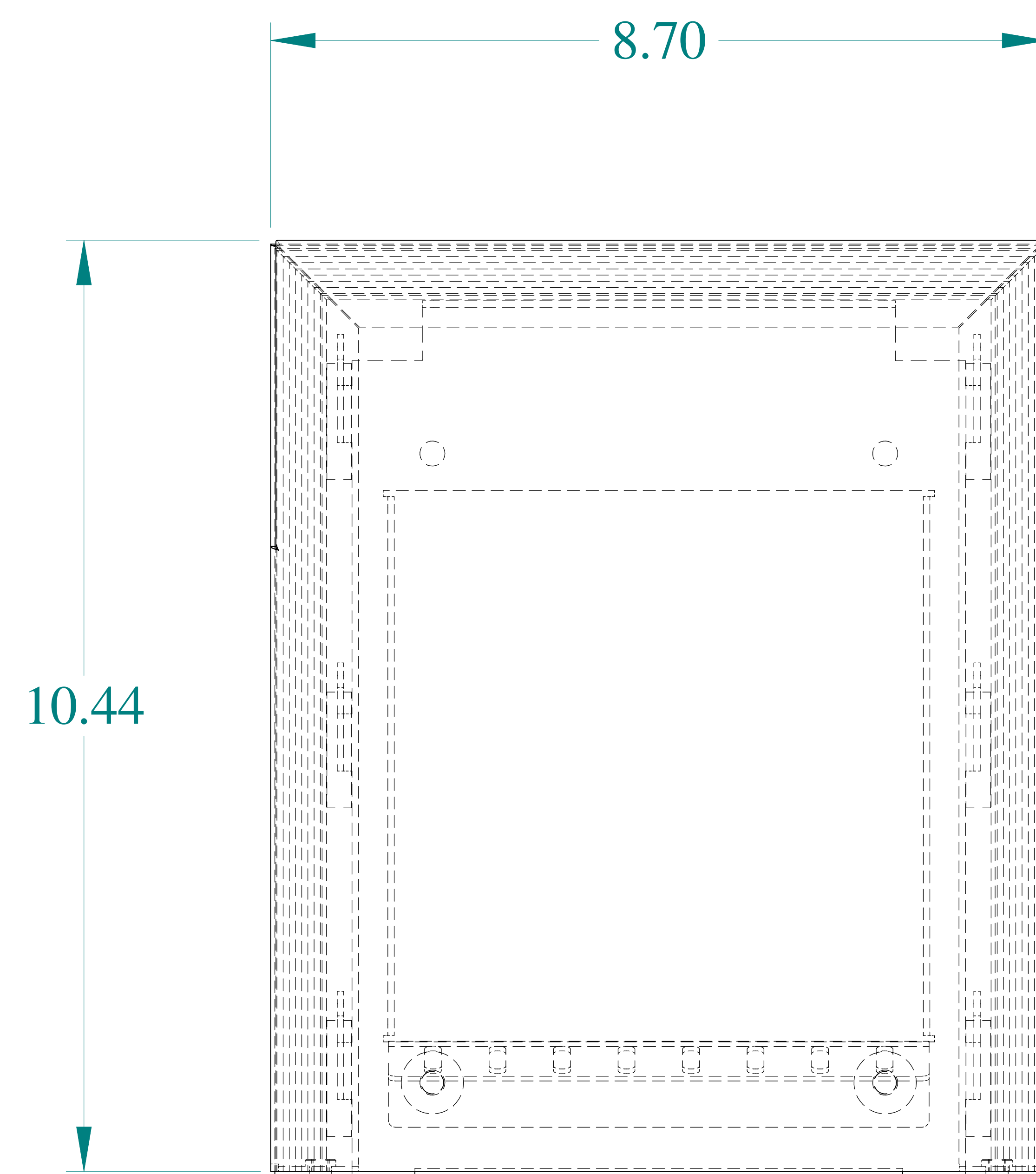
TOP VIEW



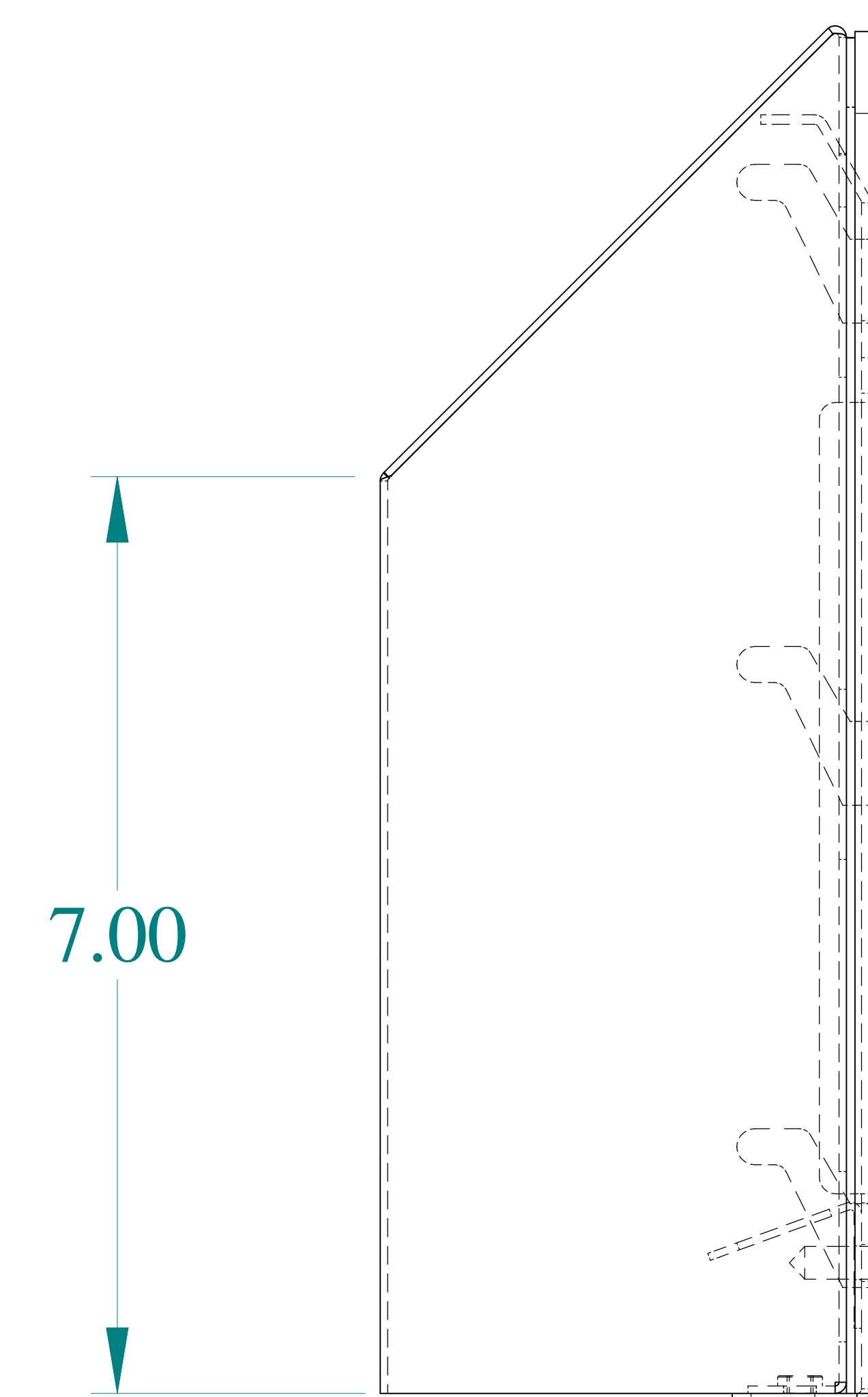
ISOMETRIC VIEWS



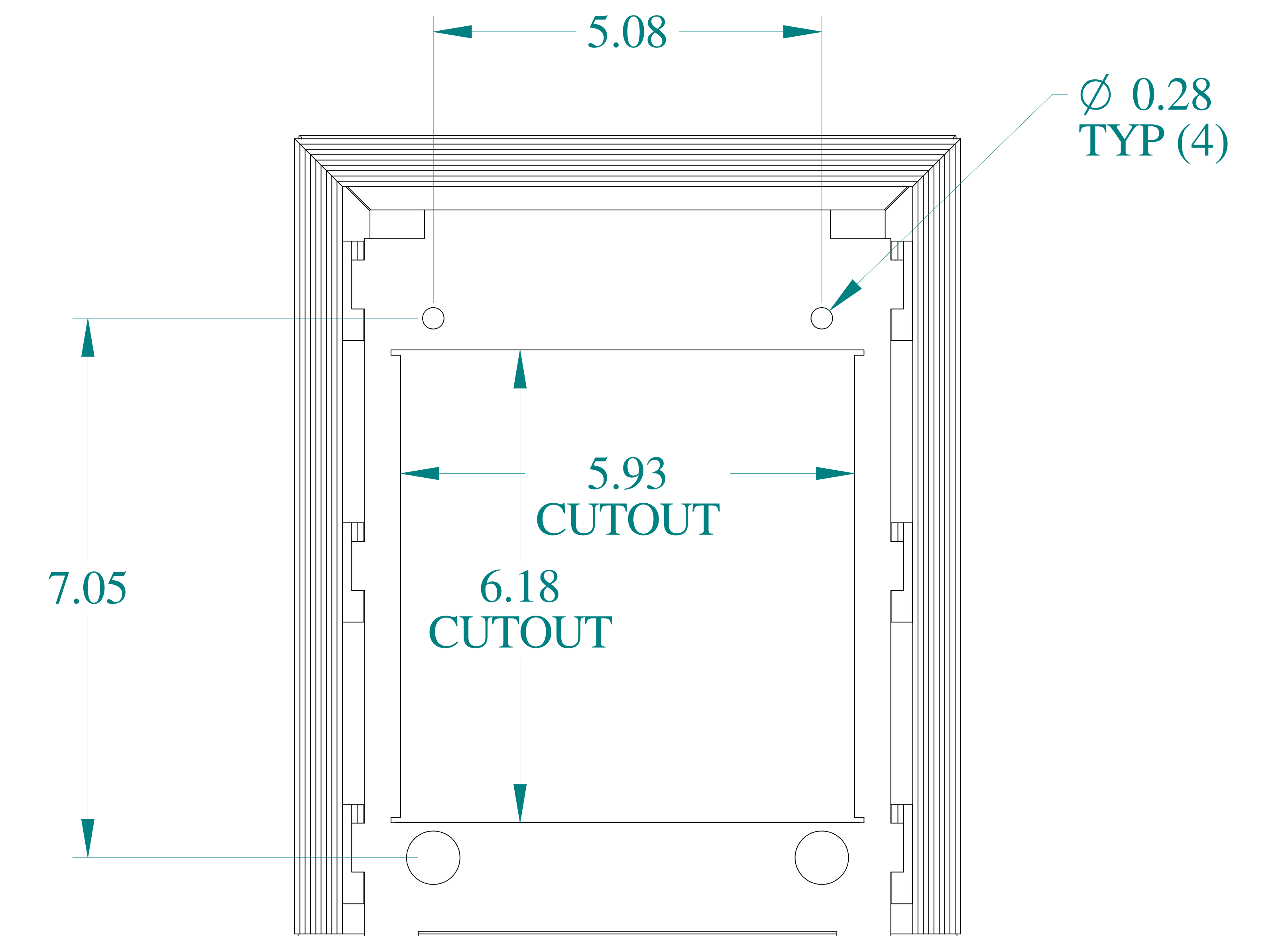
SIDE VIEW



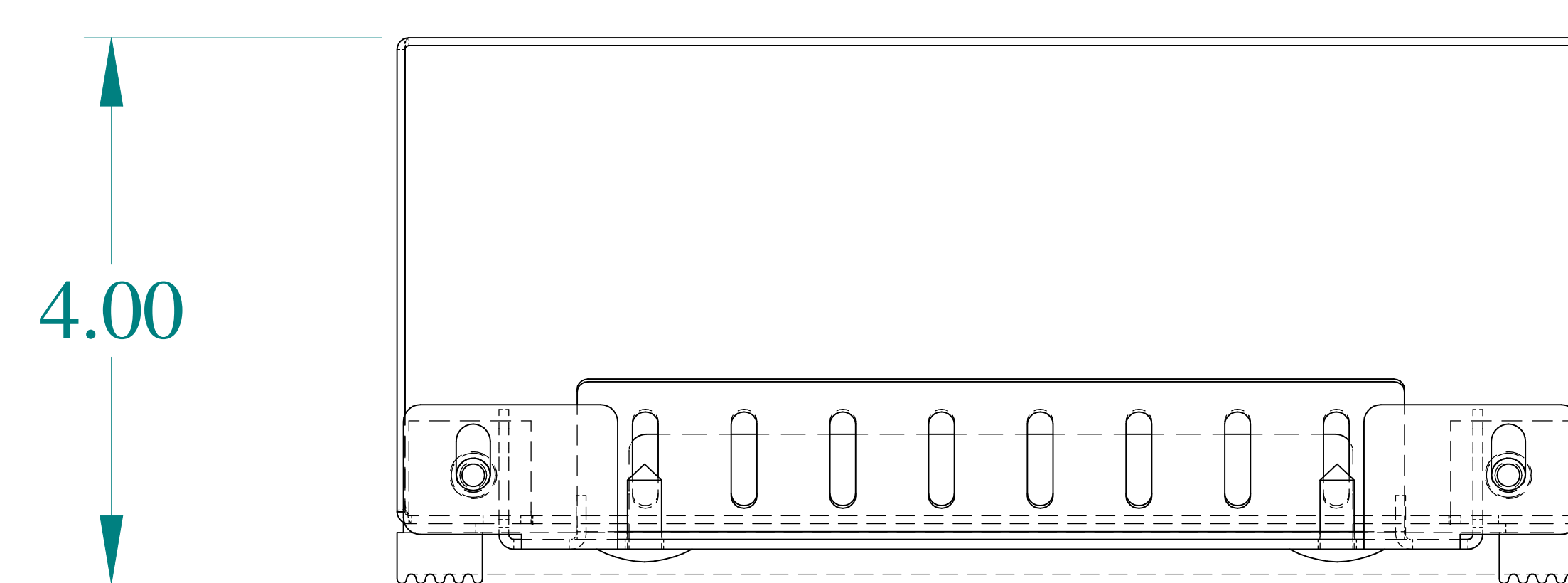
FRONT VIEW



SIDE VIEW



BACK VIEW



BOTTOM VIEW



Data subject to change without notice.

Part # : RH20000N4S16FDA Date : Aug 8, 2019

Link: [www.hammg.com/RH20000N4S16FDA](http://www.hammg.com/RH20000N4S16FDA)