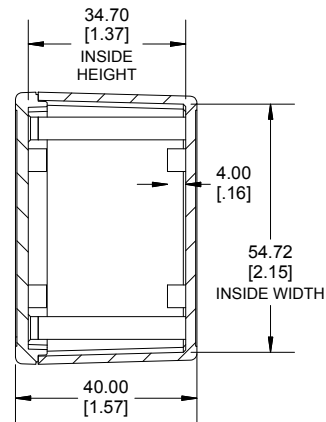
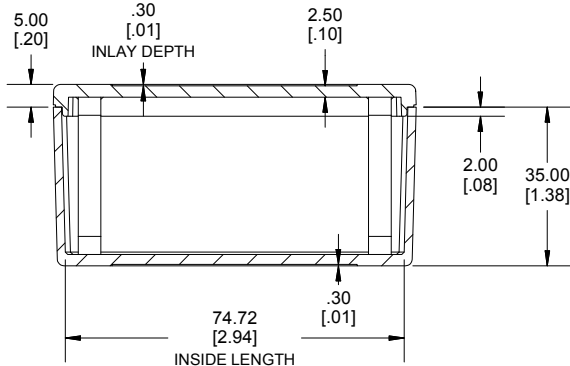
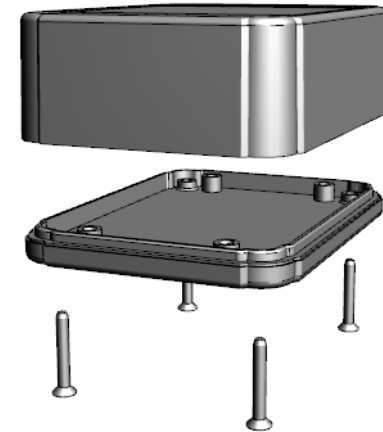


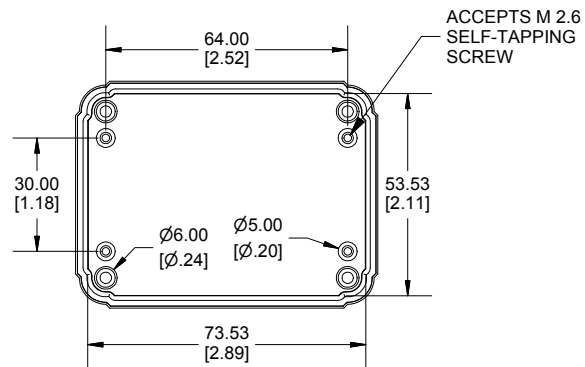
**TOP VIEW**



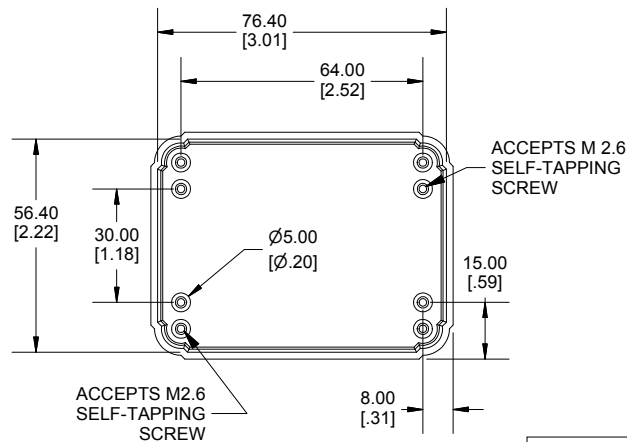
**SECTION A-A  
END VIEW**



**SECTION B-B  
SIDE VIEW**



**INSIDE LID**



**INSIDE BOX**

**Dimensions:**  
mm  
[inches]

Enclosures can be Factory Modified (Milling, Drilling, Printing etc.)  
Contact Factory (modshop@hammondmfg.com) for quotes  
Solid models of this enclosure available in .stp or .x\_t  
(Part number and text placement/orientation on our products are subject to change,  
we do not recommend using them as a locating reference for modification purposes)

**NOTE**

Purchased assembly includes box, lid, 4 PCB screws, and 4 Lid screws.

Recommended Torque : (43-50) Ozf.in / (30-35) cN.m

**RL Enclosure**

|  |          |
|--|----------|
| General Purpose ABS Light Grey (UL94 HB) | RL6115   |
| General Purpose ABS Black (UL94 HB)      | RL6115BK |

**ACCESSORIES**

|   |          |
|---|----------|
| Lid Screw (M2.6 X 18mm Self-tapping) (50 Pkg) | SC520-50 |
| PCB Screw (M2.6 X 6mm Self-tapping) (50 Pkg)  | SC519-50 |

**HAMMOND  
MANUFACTURING®**

**RL6115**

www.hammondmfg.com