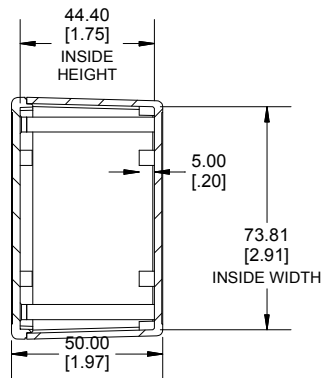
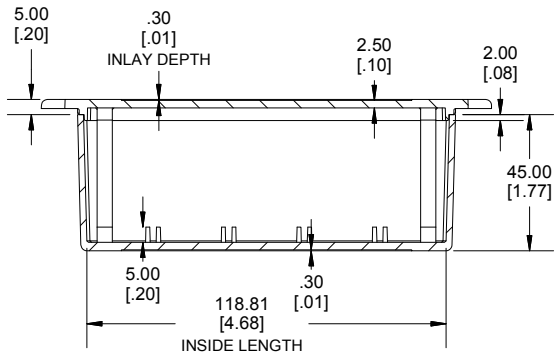


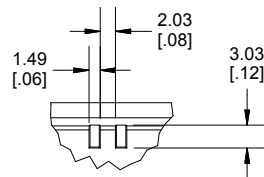
**TOP VIEW**



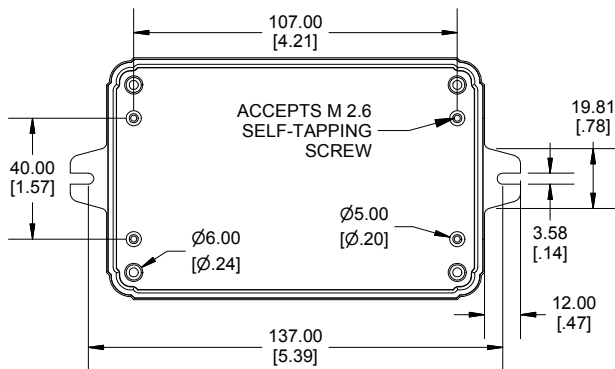
**SECTION A-A  
END VIEW**



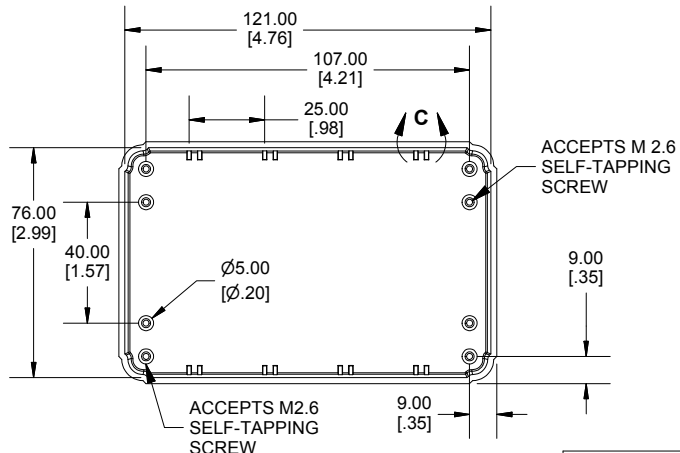
**SECTION B-B  
SIDE VIEW**



**DETAIL C**

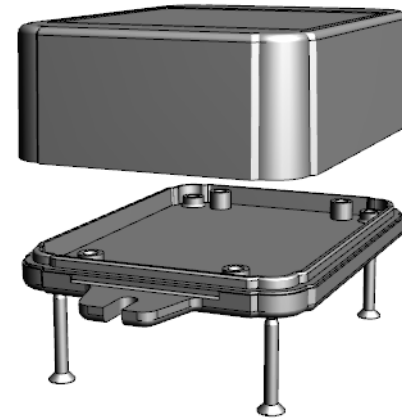


**INSIDE LID**



**INSIDE BOX**

**Dimensions:**  
mm  
[inches]



Enclosures can be Factory Modified (Milling, Drilling, Printing etc.)  
Contact Factory (modshop@hammondmfg.com) for quotes  
Solid models of this enclosure available in .stp or .x\_t  
(Part number and text placement/orientation on our products are subject to change,  
we do not recommend using them as a locating reference for modification purposes)

<b>NOTE</b>	
Purchased assembly includes box, lid, 4 PCB screws, and 4 Lid screws.	
Recommended Torque : (43-50) Ozf.in / (30-35) cN.m	
<b>RL Enclosure</b>	
General Purpose ABS Light Grey (UL94 HB)	RL6225F
General Purpose ABS Black (UL94 HB)	RL6225FBK
<b>ACCESSORIES</b>	
Lid Screw (M2.6 X 18mm Self-tapping) (50 Pkg)	SC520-50
PCB Screw (M2.6 X 6mm Self-tapping) (50 Pkg)	SC519-50

