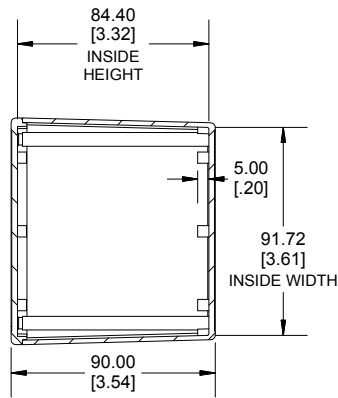
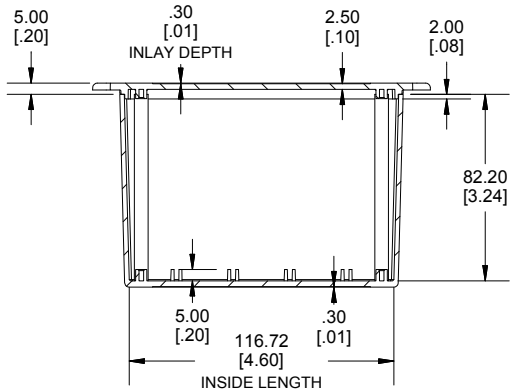
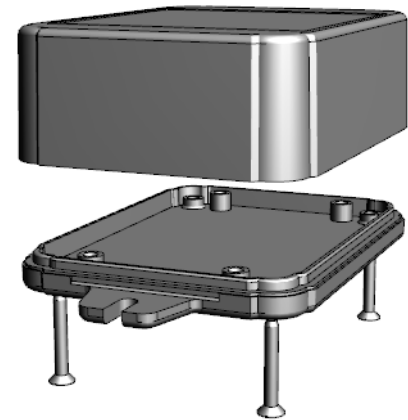


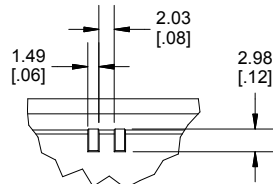
**TOP VIEW**



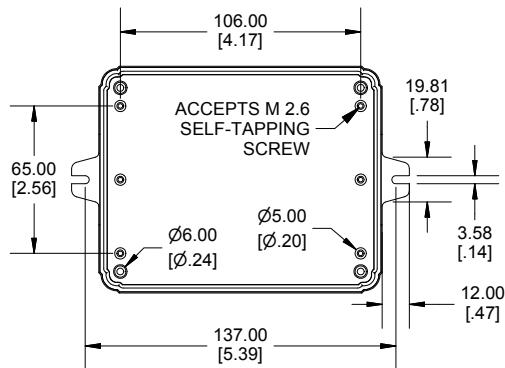
**SECTION A-A  
END VIEW**



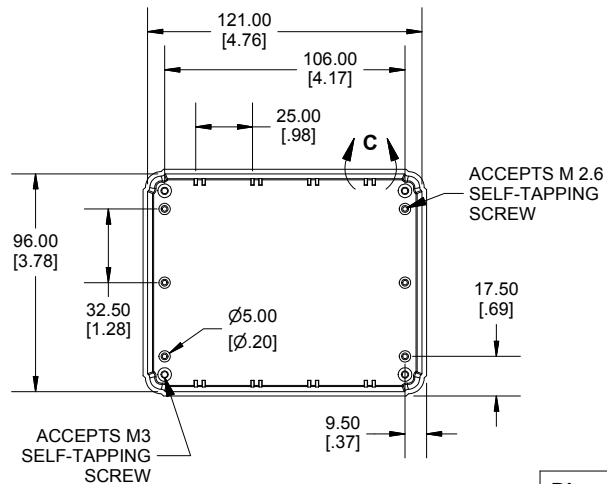
**SECTION B-B  
SIDE VIEW**



**DETAIL C**



**INSIDE LID**



**INSIDE BOX**

Enclosures can be Factory Modified (Milling, Drilling, Printing etc.)  
 Contact Factory (modshop@hammondmfg.com) for quotes  
 Solid models of this enclosure available in .stp or .x\_t  
 (Part number and text placement/orientation on our products are subject to change,  
 we do not recommend using them as a locating reference for modification purposes)

**NOTE**

Purchased assembly includes box, lid, 4 PCB screws, and 4 Lid screws.

Recommended Torque : (43-50) Ozf.in / (30-35) cN.m

**RL Enclosure**

General Purpose ABS Light Grey (UL94 HB)	RL6365F
General Purpose ABS Black (UL94 HB)	RL6365FBK

**ACCESSORIES**

Lid Screw (M3 X 25mm Self-tapping) (50 Pkg)	SC617-50
PCB Screw (M2.6 X 6mm Self-tapping) (50 Pkg)	SC519-50

**HAMMOND  
MANUFACTURING®**

**RL6365F**

www.hammondmfg.com

Dimensions:  
mm  
[inches]