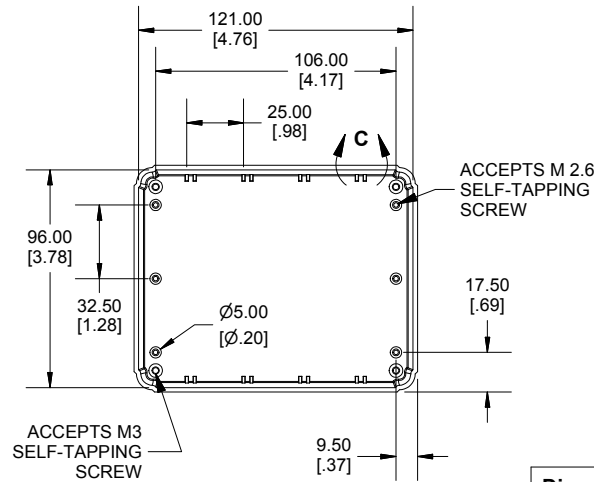
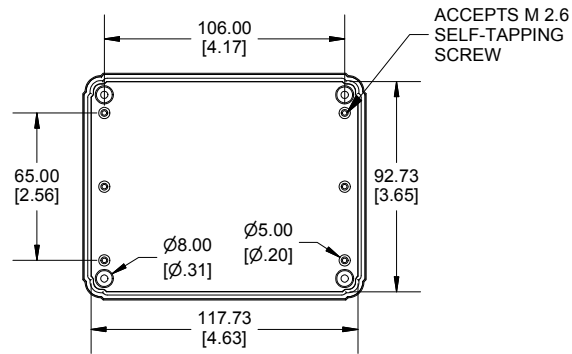


Enclosures can be Factory Modified (Milling, Drilling, Printing etc.)  
 Contact Factory (modshop@hammondmfg.com) for quotes  
 Solid models of this enclosure available in .stp or .x\_t  
 (Part number and text placement/orientation on our products are subject to change,  
 we do not recommend using them as a locating reference for modification purposes)

**SECTION B-B  
SIDE VIEW**

**DETAIL C**



<b>NOTE</b>	
Purchased assembly includes box, lid, 4 PCB screws, and 4 Lid screws.	
Recommended Torque : (43-50) Ozf.in / (30-35) cN.m	

<b>RL Enclosure</b>	
General Purpose ABS Light Grey (UL94 HB)	RL6365
General Purpose ABS Black (UL94 HB)	RL6365BK
<b>ACCESSORIES</b>	
Lid Screw (M3 X 25mm Self-tapping) (50 Pkg)	SC617-50
PCB Screw (M2.6 X 6mm Self-tapping) (50 Pkg)	SC519-50

**Dimensions:**  
mm  
[inches]

**HAMMOND  
MANUFACTURING**

**RL6365**

www.hammondmfg.com