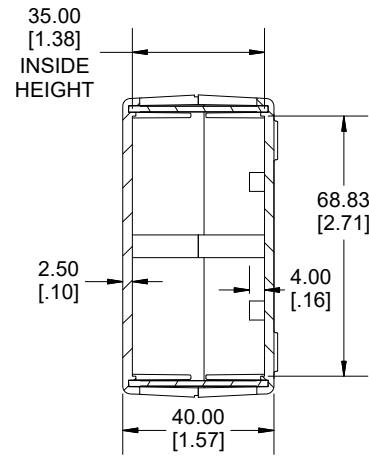
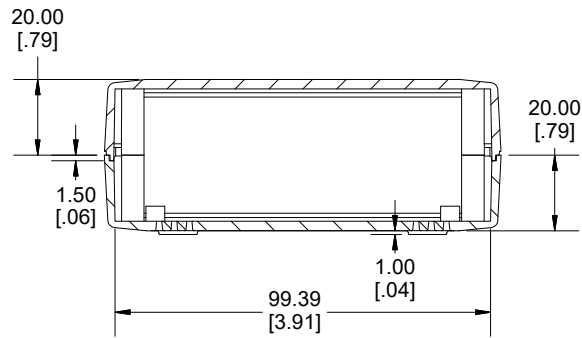
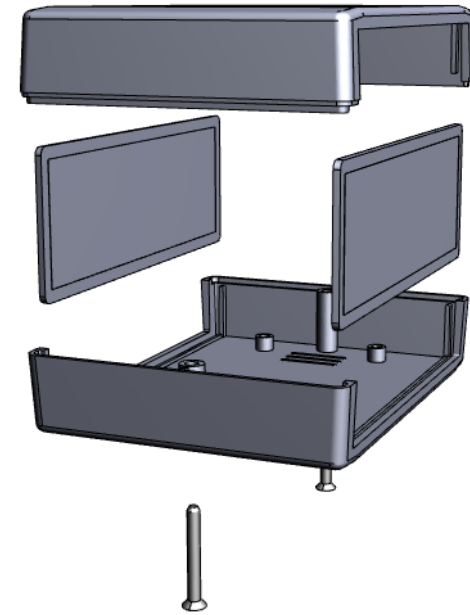


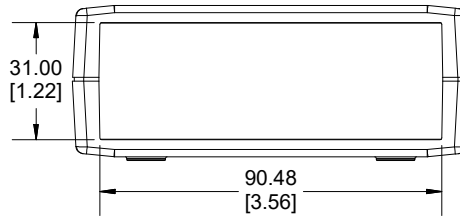
**TOP VIEW**



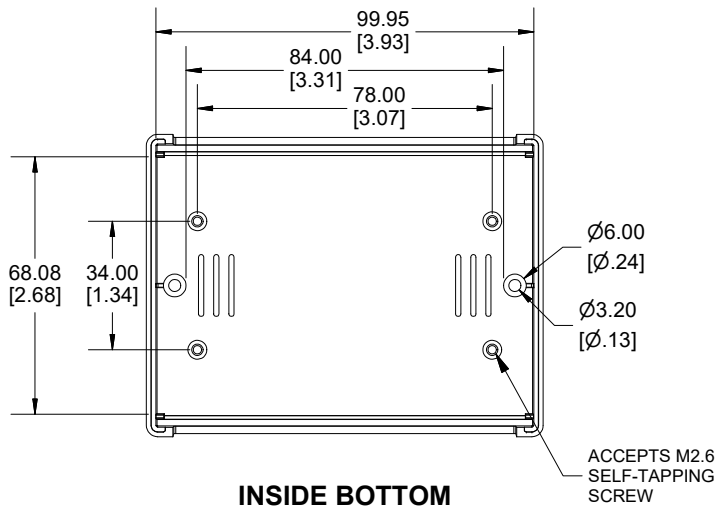
**SECTION A-A  
SIDE VIEW**



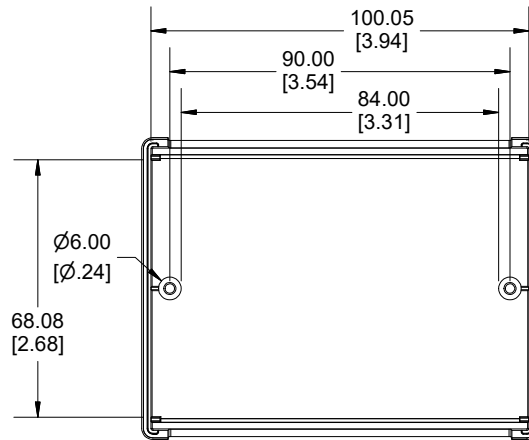
**SECTION B-B  
END VIEW**



**END VIEW**



**INSIDE BOTTOM**



**INSIDE TOP**

Dimensions:  
mm  
[inches]

Enclosures can be Factory Modified (Milling, Drilling, Printing etc.)  
Contact Factory (modshop@hammfg.com) for quotes  
Solid models of this enclosure available in .stp or .x\_t  
(Part number and text placement/orientation on our products are subject to change,  
we do not recommend using them as a locating reference for modification purposes)

<b>NOTE</b>	
Purchased assembly includes box, lid, 2 end panels, 4 PCB screws, and 2 lid screws.	
Enclosure molded from GPABS Plastic	
Recommended Torque : (43-50) Ozf.in / (30-35) cN.m	

<b>RM Enclosure</b>	
General Purpose ABS Light Grey (UL94 HB)	RM2005L
General Purpose ABS Translucent Black (UL94 HB)	RM2005LTBK
<b>ACCESSORIES</b>	
Lid Screw (M3X 25mm Self-tapping)	SC617-50
PCB Screw (M2.6 X6mm Self-tapping)	SC519-50
Folding Feet Kit	FT-01

**HAMMOND  
MANUFACTURING**

**RM2005L**

www.hammondmfg.com