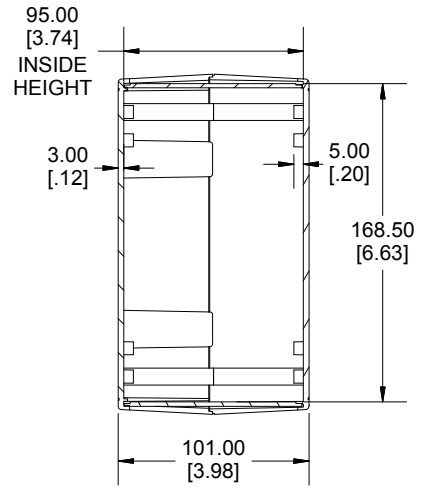
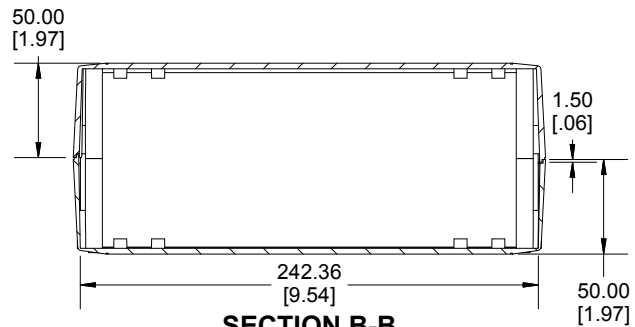
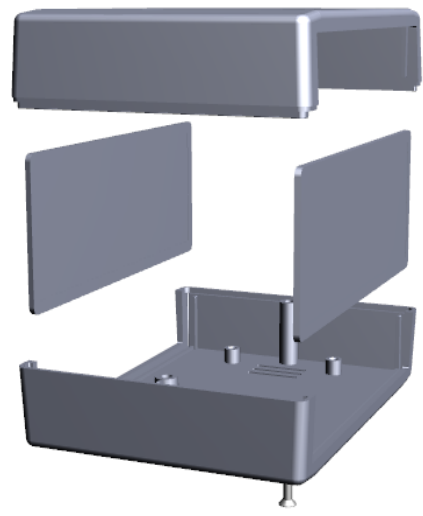


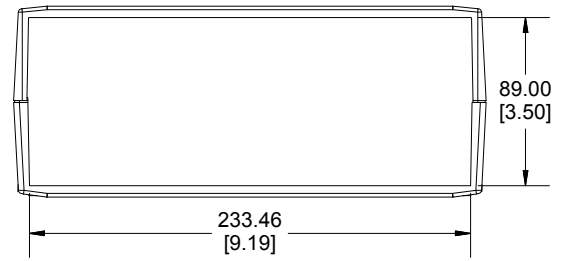
**TOP VIEW**



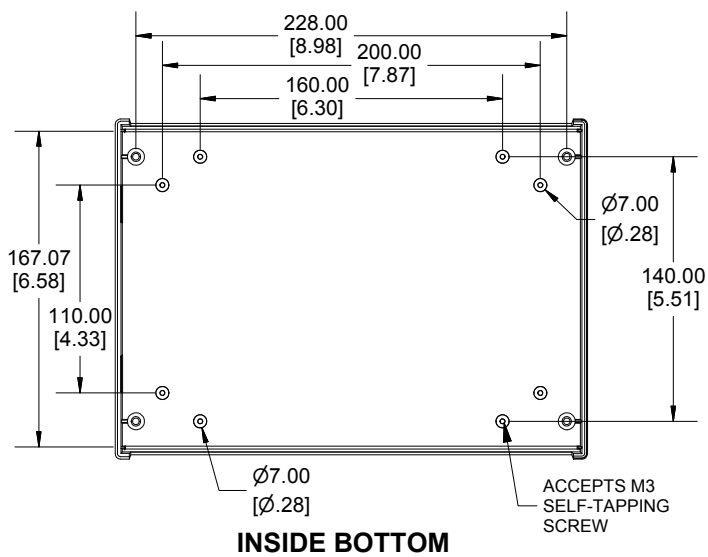
**SECTION A-A  
SIDE VIEW**



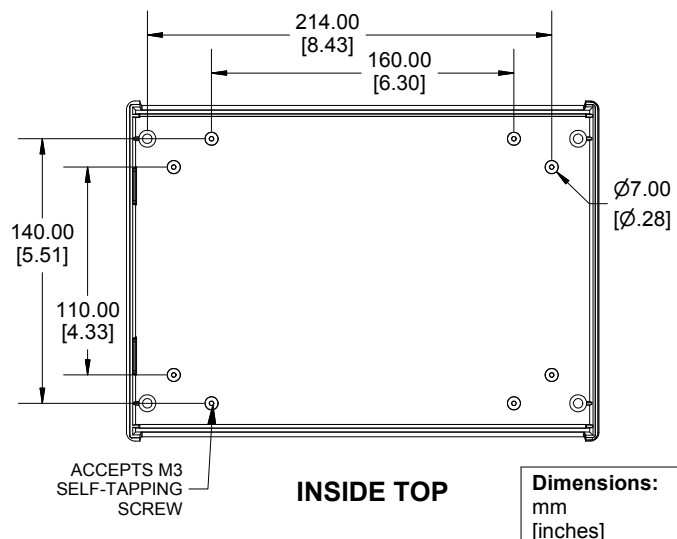
**SECTION B-B  
END VIEW**



**END VIEW**



**INSIDE BOTTOM**



**INSIDE TOP**

Enclosures can be Factory Modified (Milling, Drilling, Printing etc.)  
 Contact Factory (modshop@hammondmfg.com) for quotes  
 Solid models of this enclosure available in .stp or .x\_t  
 (Part number and text placement/orientation on our products are subject to change,  
 we do not recommend using them as a locating reference for modification purposes)

<b>NOTE</b>	
Purchased assembly includes box, lid, 2 end panels, 4 PCB screws, and 4 lid screws.	
Enclosure molded from GPABS Plastic	
Recommended Torque : (43-50) Ozf.in / (30-35) cN.m	

<b>RM Enclosure</b>	
General Purpose ABS Light Grey (UL94 HB)	RM2095L
<b>ACCESSORIES</b>	
Lid Screw (M3X 55mm)	SC614-50
PCB Screw (M3 X 6mm Self-tapping)	SC622-50
Folding Feet Kit	FT-01

**HAMMOND  
MANUFACTURING**

**RM2095L**  
www.hammondmfg.com

**Dimensions:**  
mm  
[inches]