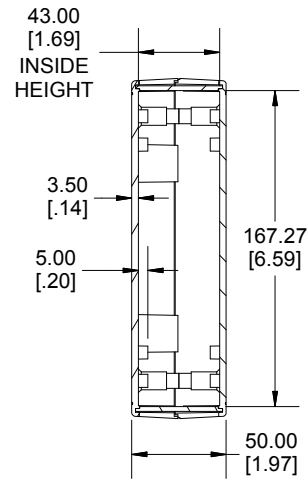
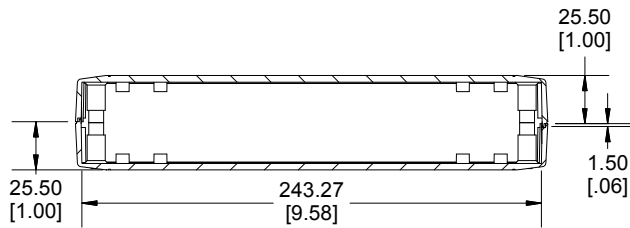
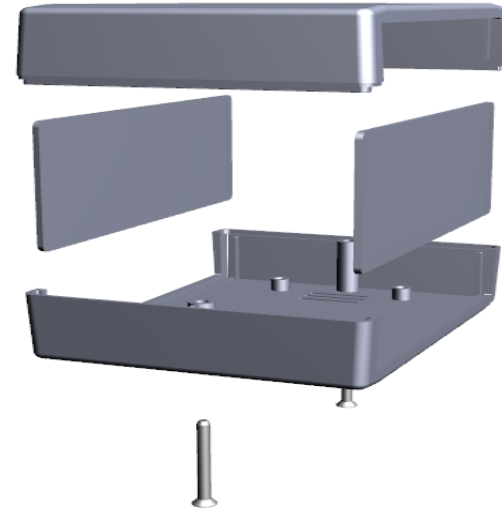


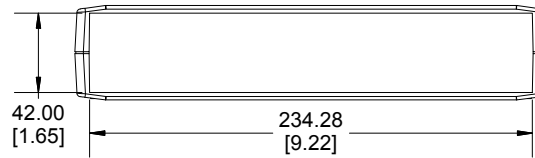
TOP VIEW



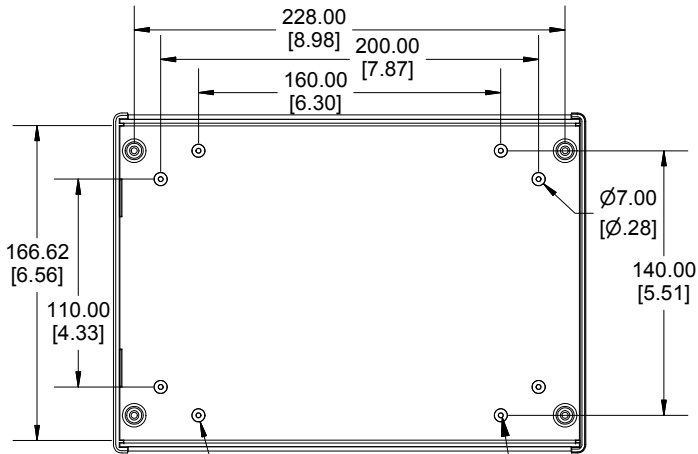
SECTION A-A
SIDE VIEW



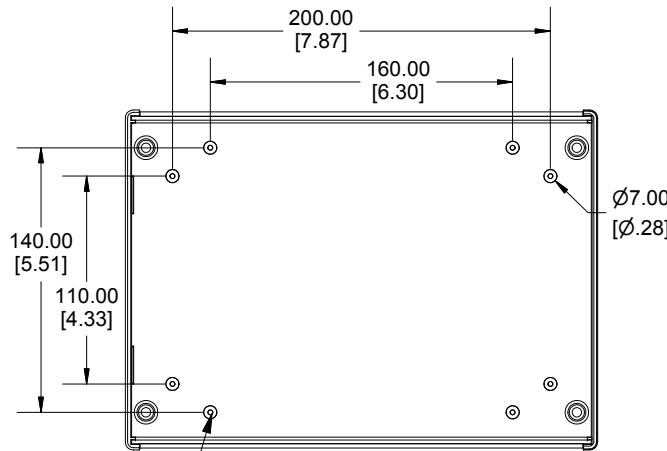
SECTION B-B
END VIEW



END VIEW



INSIDE BOTTOM



INSIDE TOP

Dimensions:
mm
[inches]

Enclosures can be Factory Modified (Milling, Drilling, Printing etc.)
Contact Factory (modshop@hammondmfg.com) for quotes
Solid models of this enclosure available in .stp or .x_t
(Part number and text placement/orientation on our products are subject to change,
we do not recommend using them as a locating reference for modification purposes)

NOTE

Purchased assembly includes box, lid, 2 end panels, 4 PCB screws, and 4 lid screws.
Enclosure molded from GPABS Plastic
Recommended Torque : (43-50) Ozf.in / (30-35) cN.m

RM Enclosure	
General Purpose ABS Light Grey (UL94 HB)	RM2095S
ACCESSORIES	
Lid Screw (M3X 30mm)	SC612-50
PCB Screw (M3 X 6mm Self-tapping)	SC622-50
Folding Feet Kit	FT-01

**HAMMOND
MANUFACTURING**

RM2095S
www.hammondmfg.com