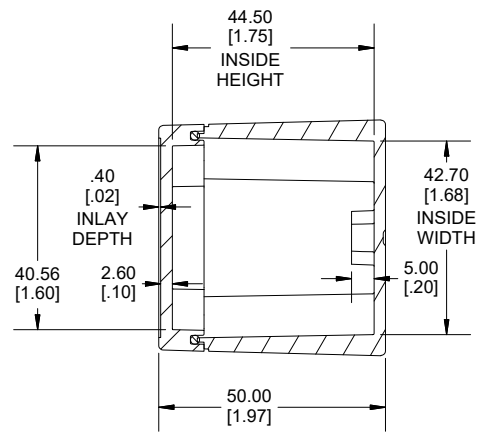
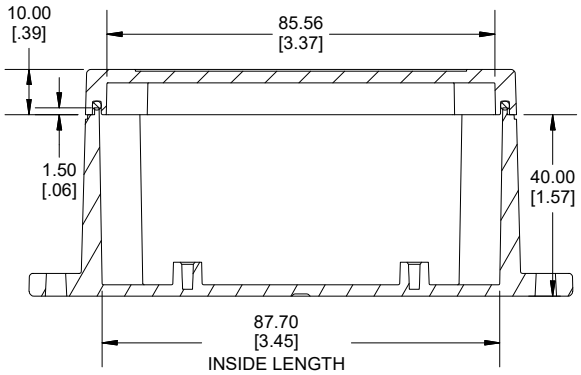
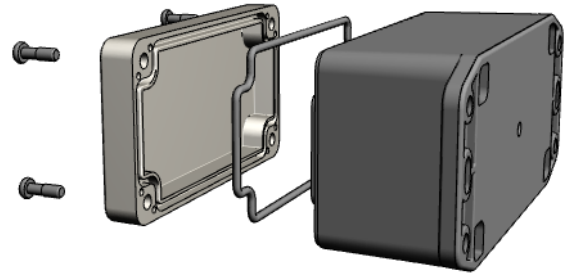


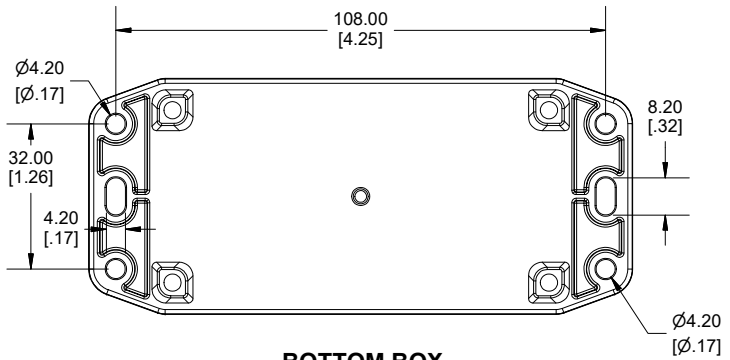
TOP VIEW



END VIEW SECTION A-A



SIDE VIEW SECTION B-B



BOTTOM BOX

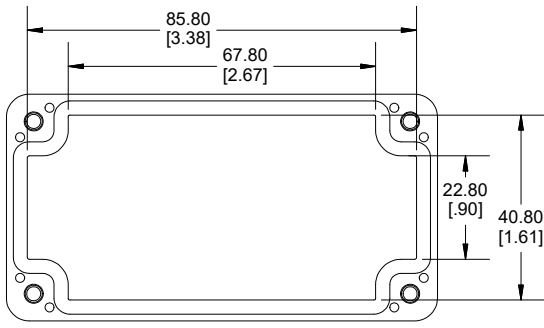
Enclosures can be Factory Modified (Milling, Drilling, Printing etc.)
 Contact Factory (modshop@hammfg.com) for quotes
 Solid models of this enclosure available in .stp or .x_t
 (Part number and text placement/orientation on our products are subject to change, we do not recommend using them as a locating reference for modification purposes)

NOTE	
Purchased assembly includes box, lid, string gasket, 4 PCB screws, and 4 lid screws.	
Recommended Torque : (43-50) Ozf.in / (30-35) cN.m	

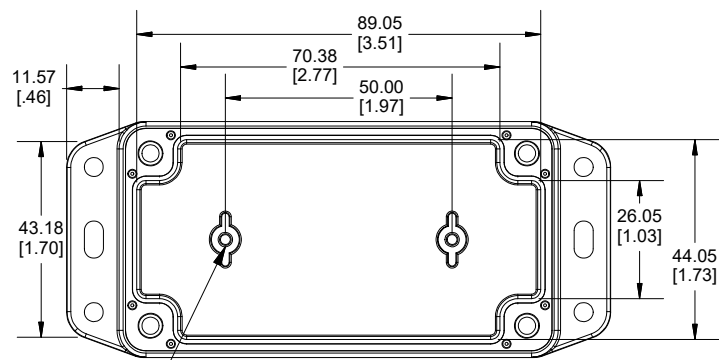
RP Enclosure	
General Purpose ABS Light Grey (UL94 HB)	RP1045BF
General Purpose ABS Light Grey with Polycarbonate Clear Lid (UL94 HB)	RP1045CBF
Polycarbonate Off-White (UL94-V2)	RP1040BF
Polycarbonate Off-White with Clear Lid (UL94-V2)	RP1040CBF

ACCESSORIES	
Lid Screw (M3.5-0.6 X 10mm) (50 Pkg)	SC619-50
PCB Screw (M3 X 6mm Self-tapping) (50 Pkg)	SC622-50
General Purpose ABS Black Inner Panel 3mm Thick	STC104
Metal Inner Panel 1mm Thick	STA104
String Gasket EPDM Grey (2 Pkg)	RP103GASKET

HAMMOND MANUFACTURING
 RP104 BF
www.hammondmfg.com



INSIDE LID



INSIDE BOX

ACCEPTS M3 SELF-TAPPING SCREW

Dimensions:
 mm
 [inches]