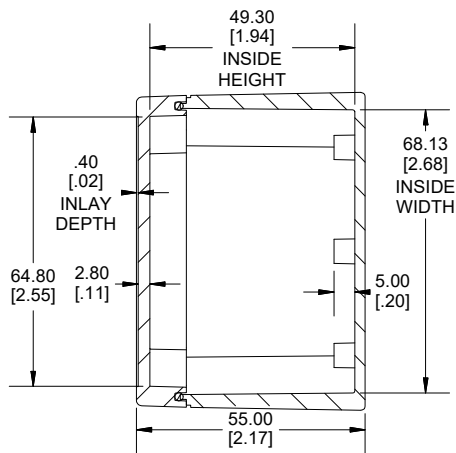
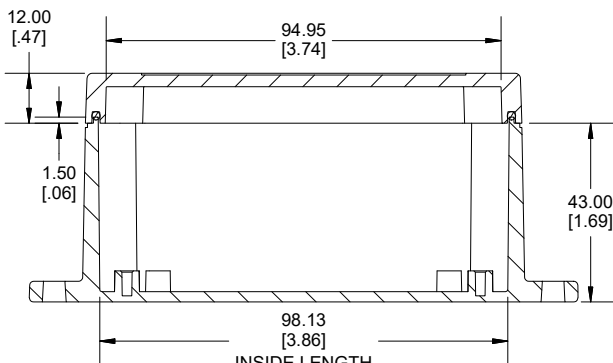
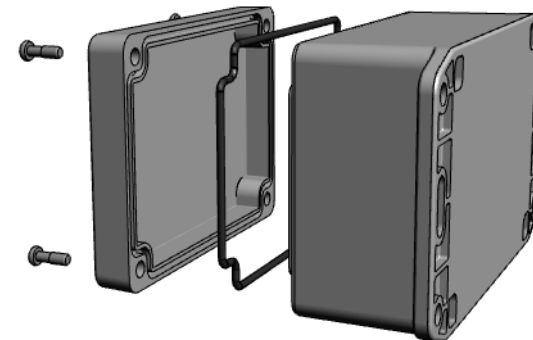


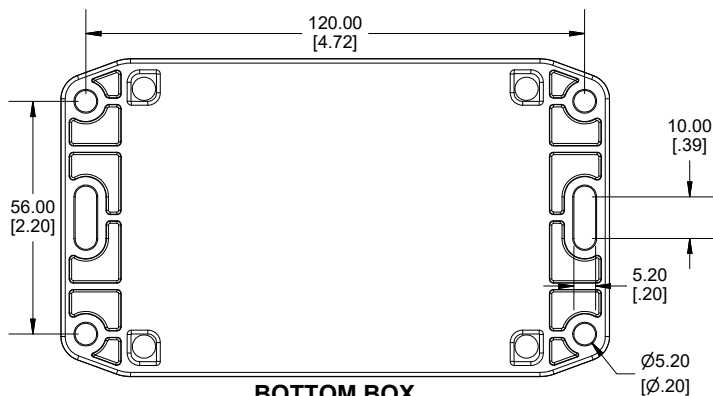
**TOP VIEW**



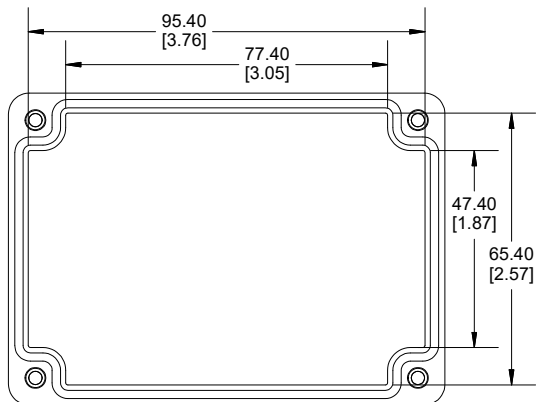
**END VIEW SECTION A-A**



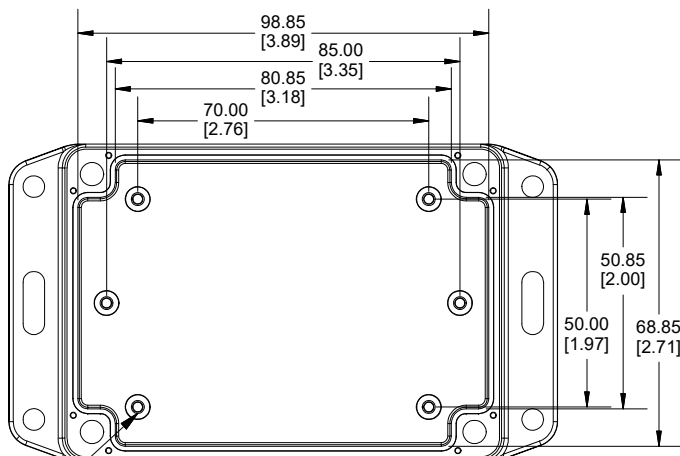
**SIDE VIEW SECTION B-B**



**BOTTOM BOX**



**INSIDE LID**



**INSIDE BOX**

ACCEPTS M3 SELF-TAPPING SCREW

Dimensions:  
mm  
[inches]

Enclosures can be Factory Modified (Milling, Drilling, Printing etc.)  
Contact Factory ([modshop@hammfg.com](mailto:modshop@hammfg.com)) for quotes  
Solid models of this enclosure available in .stp or .x\_t  
(Part number and text placement/orientation on our products are subject to change, we do not recommend using them as a locating reference for modification purposes)

| <b>NOTE</b>  |             |
|--|-------------|
| Purchased assembly includes box, lid, string gasket, 4 PCB screws, and 4 lid screws. |             |
| Recommended Torque : (43-50) Ozf.in / (30-35) cN.m                                   |             |
| <b>RP Enclosure</b>  |             |
| General Purpose ABS Light Grey (UL94 HB)   | RP1095BF    |
| General Purpose ABS Light Grey with Polycarbonate Clear Lid (UL94 HB)                | RP1095CBF   |
| Polycarbonate Off-White (UL94-V2)  | RP1090BF    |
| Polycarbonate Off-White with Clear Lid (UL94-V2)                                     | RP1090CBF   |
| <b>ACCESSORIES</b>   |             |
| Lid Screw (M3.5-0.6 X 10mm) (50 Pkg)   | SC619-50    |
| PCB Screw (M3 X 6mm Self-tapping) (50 Pkg)   | SC622-50    |
| General Purpose ABS Black Inner Panel 3mm Thick                                      | STC109      |
| Metal Inner Panel 1mm Thick  | STA109      |
| String Gasket EPDM Grey (2 Pkg)  | RP108GASKET |

**HAMMOND MANUFACTURING**  
RP109 BF  
[www.hammondmfg.com](http://www.hammondmfg.com)