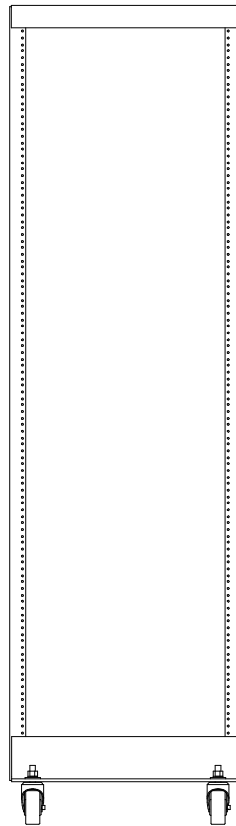
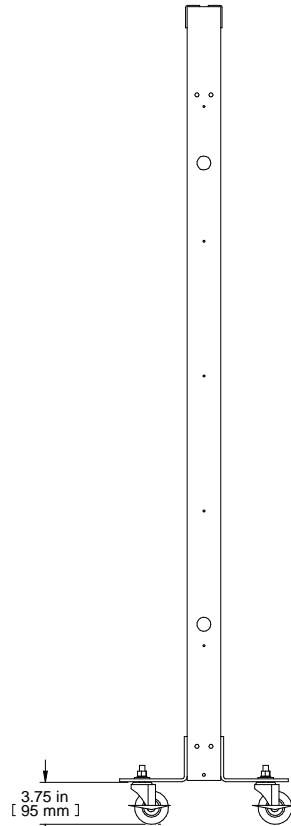


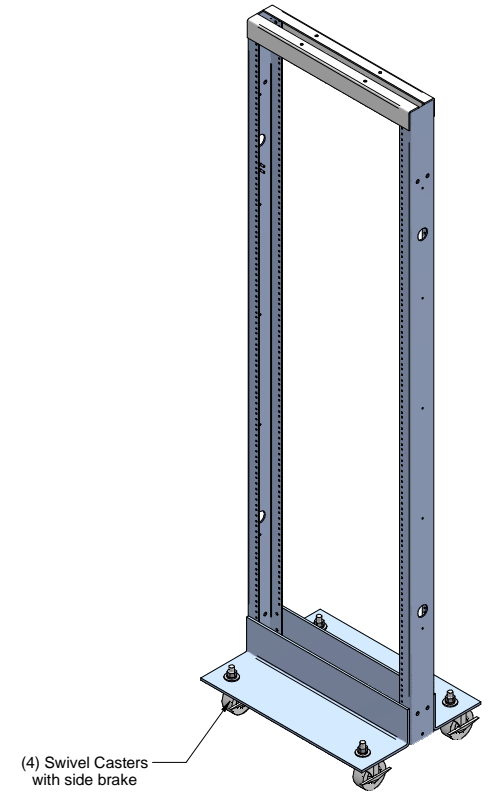
Relay Rack
Sold Separately



FRONT VIEW



R.S. VIEW



(4) Swivel Casters
with side brake

Caution!

- * Care should be taken in moving rack as it may be unstable depending on equipment loading pattern.
- * Ensure weight distribution is safe for mobile use.
- * Not recommended for heavy loading.

PART NUMBERS
RRLDCASTER
NOTES
Light Duty Casters for DNRR heavy duty and RRAL aluminum relay racks Max. weight load: 800 lb See Hammond Website for More Information
Français
Pour tous les détails sur nos produits, svp veuillez consulter notre site www.hammondmfg.com Data subject to change without notice. Isometric drawing not to scale. Les données sont sujettes à changement sans préavis.



PART NO.

RRLDCASTER