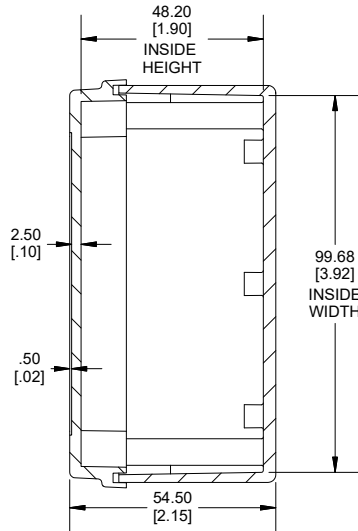
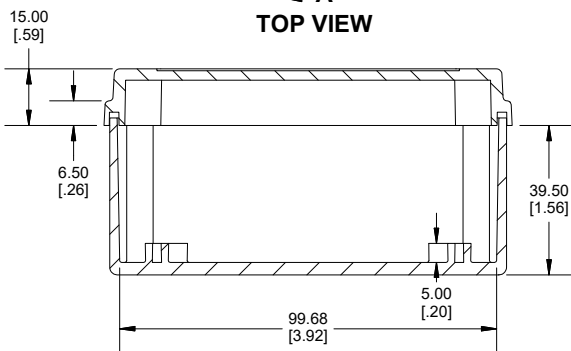
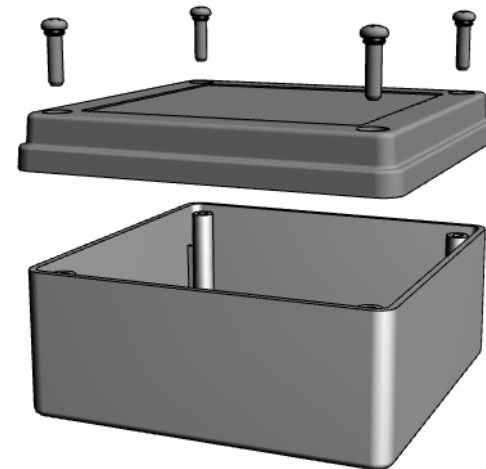


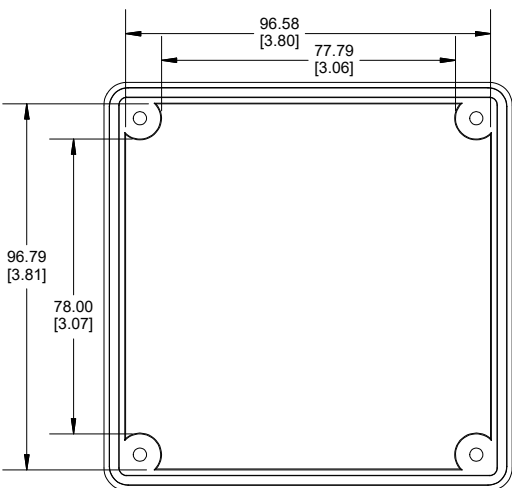
**TOP VIEW**



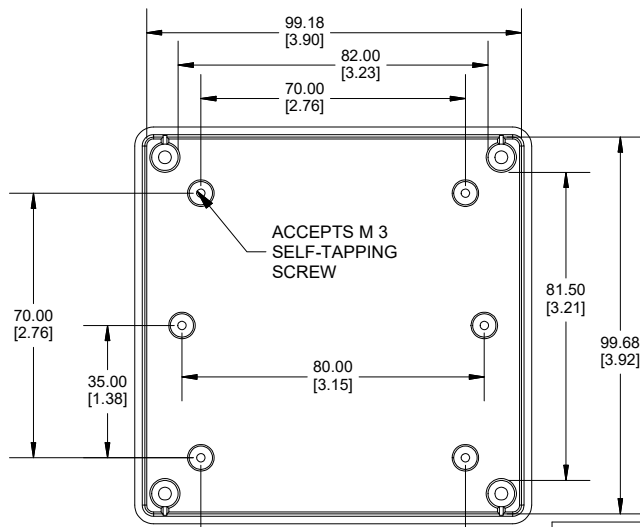
**SECTION A-A  
END VIEW**



**SECTION B-B  
SIDE VIEW**



**INSIDE LID**



**INSIDE BOX**

**Dimensions:**  
mm  
[inches]

Enclosures can be Factory Modified (Milling, Drilling, Printing etc.)  
Contact Factory ([modshop@hammfg.com](mailto:modshop@hammfg.com)) for quotes  
Solid models of this enclosure available in .stp or .x\_t  
(Part number and text placement/orientation on our products are subject to change,  
we do not recommend using them as a locating reference for modification purposes)

<b>NOTE</b>	
Purchased assembly includes box, lid, string gasket, 4 PCB screws, and 4 lid screws.	
Recommended Torque : (43-50) Ozf.in / (30-35) cN.m	

<b>RS Enclosure</b>	
General Purpose ABS Light Grey (UL94 HB)	RS5105S
<b>ACCESSORIES</b>	
Lid Screw (M4 X20mm Self-tapping) With O-ring (50 Pkg)	SC624-50
PCB Screw (M3 X6mm Self-tapping) (50 Pkg)	SC622-50
String Gasket EPDM Grey (2 Pkg)	RS510GASKET

**HAMMOND  
MANUFACTURING**

**RS5105S**

[www.hammondmfg.com](http://www.hammondmfg.com)