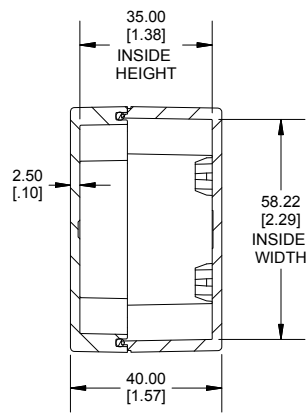
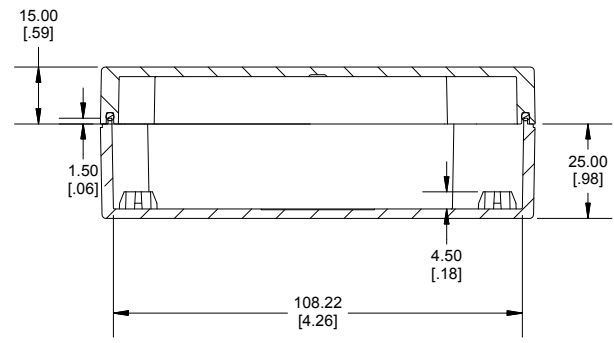
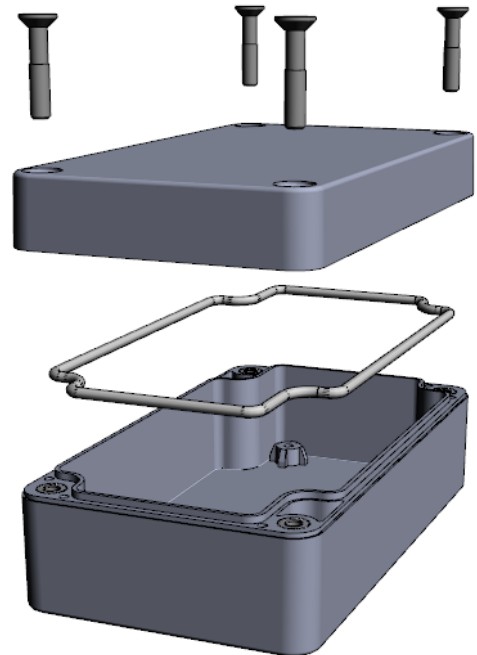


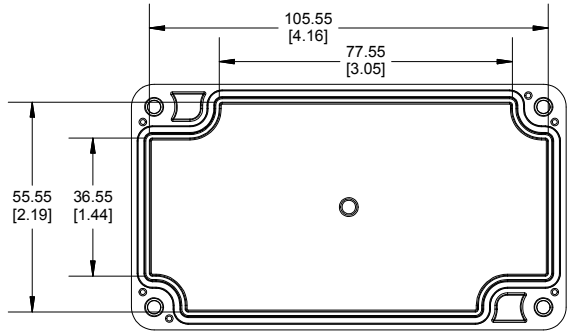
TOP VIEW



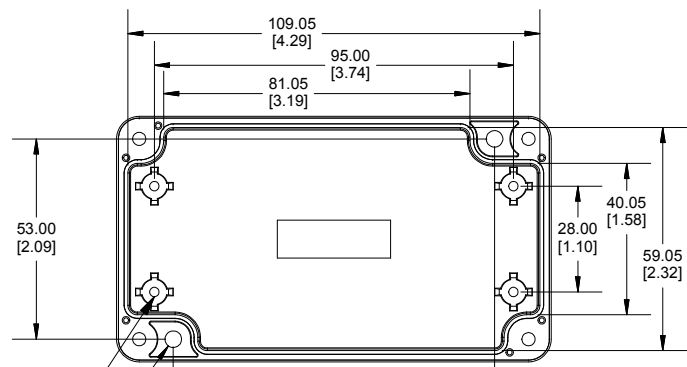
SECTION A-A



**SECTION B-B
SIDE VIEW**



INSIDE LID



INSIDE BOX

ACCEPTS M3 SELF-TAPPING SCREW

Ø4.40 [Ø.17]

Enclosures can be Factory Modified (Milling, Drilling, Printing etc.)
 Contact Factory (modshop@hammondmgf.com) for quotes
 Solid models of this enclosure available in .stp or .x_t
 (Part number and text placement/orientation on our products are subject to change, we do not recommend using them as a locating reference for modification purposes)

NOTE

Purchased assembly includes Box, Lid, String Gasket, 4 PCB screws, and 4 Lid screws.

Recommended Torque : (43-50) Ozf.in / (30-35) cN.m

RZ Enclosure	
Polycarbonate Off-White (UL94-V2)	RZ0203
Polycarbonate Off-White with Clear Lid (UL94-V2)	RZ0203C
General Purpose ABS Light Grey (UL94 HB)	RZ0304
General Purpose ABS Light Grey with Polycarbonate Clear Lid (UL94 HB)	RZ0304C
ACCESSORIES	
Cover Screw (M4-0.7 X 20mm) (50 Pkg)	SC618-50
PCB Screw Self Tapping (M3 X 6mm) (50 Pkg)	SC622-50
String Gasket EPDM Grey (2 Pkg)	RZ0304GASKET

Dimensions:
mm
[inches]

**HAMMOND
MANUFACTURING**

RZ0203 (0304)

www.hammondmgf.com