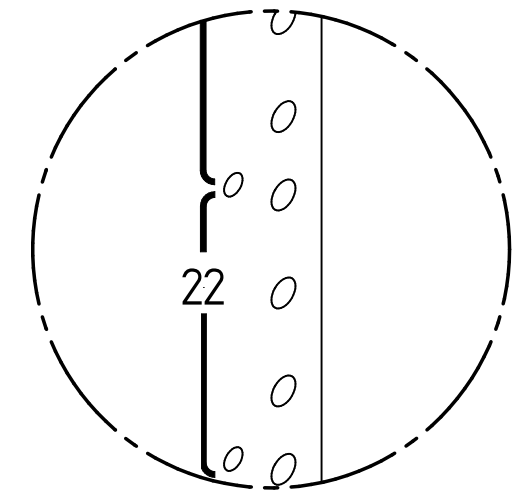
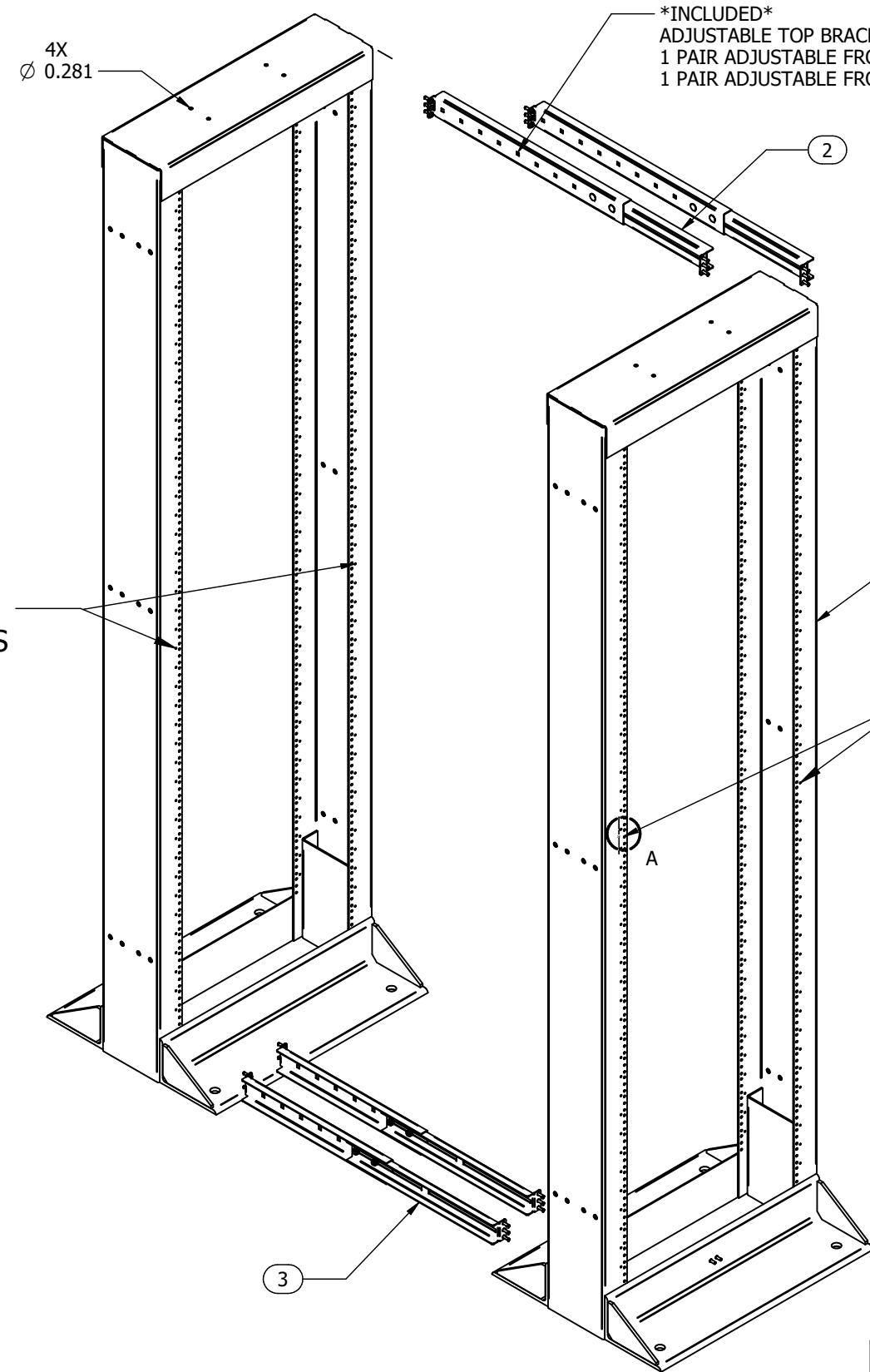


REV	ECN	DESCRIPTION	DATE	ENGR	CHK'D
A	N/A	RELEASED	AUG 24/17	AH	
B	1211	REMOVE SR1702607 & SR1702608 FROM BOM	OCT 11/17	AH	
C	1531	REPLACE DRZ477S WITH DRZ477 ADD RULBK1-52 LABELS	JUN 17/20	AH	
D	48584	REMOVE RULBK1-52 LABELS ADD SILK SCREENED U MARKINGS (DRZ477S)	APR 14/26	AH	

# SR1701650



DRZ477S  
SILK SCREENED U-MARKINGS  
(1U TOP TO 44U BOTTOM)  
BOTH SIDES

SHOWN ASSEMBLED FOR REF. ONLY  
SHIPPED UNASSEMBLED

Item Number	Document Number	Title	Quantity
1	DRZ477	SEISMIC RELAY RACK	2
2	SR1702606	ADJUSTABLE BRACKETS PAIR 36 TO 48	1
3	SR1702605	ADJUSTABLE BRACKETS PAIR 28 TO 39	1

UNLESS OTHERWISE SPECIFIED  
ALL DIMENSIONS ARE SHOWN IN INCHES.

TOLERANCES - UNLESS OTHERWISE INDICATED:				
DIMENSION	UNDER 6"	6" TO 24"	OVER 24"	OVER 48"
FRACTION	± 1/32"	± 3/64"	± 1/16"	± 1/8"
.XX	± 0.04"	± 0.05"	± 0.06"	± 0.13"
.XXX	± 0.020"	± 0.020"	± 0.020"	± 0.030"
HOLE Ø	± 0.005"			
ANGLE	± 1°			

DRZ477	N/A	<b>PART No. SR1701650</b>
MODIFIED FROM	NEXT ASSEMBLY	
DWN	ahalliday	<b>HAMMOND MANUFACTURING CO. LTD</b> Enclosure Group
DATE	24-Aug-17	
CHK.		THIS DRAWING IS PROPRIETARY INFORMATION OF HAMMOND MFG. CO. LTD. NOT TO BE USED WITHOUT EXPRESSED WRITTEN PERMISSION OF HAMMOND MFG. CO. LTD.
AUTH.		
MAT'L	SEE COMPONENTS	<b>TITLE: SPECIAL DRZ477 (44U) SEISMIC RELAY RACK ASSEMBLY</b>
CAD DATA ONLY: DO NOT MANUALLY UPDATE		<b>SCALE: 1:12</b>
		<b>DWG: SR1701650</b>
		<b>SHEET: 1 OF 1</b>