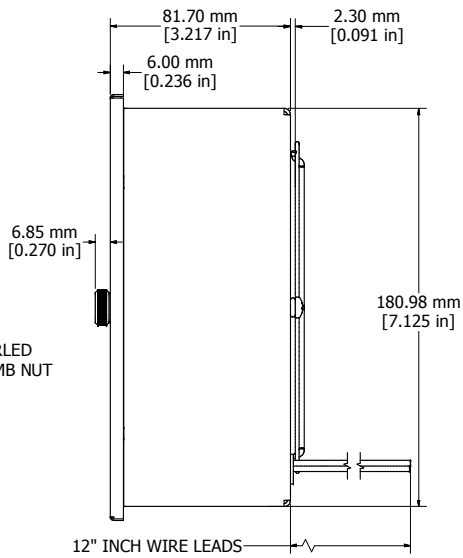
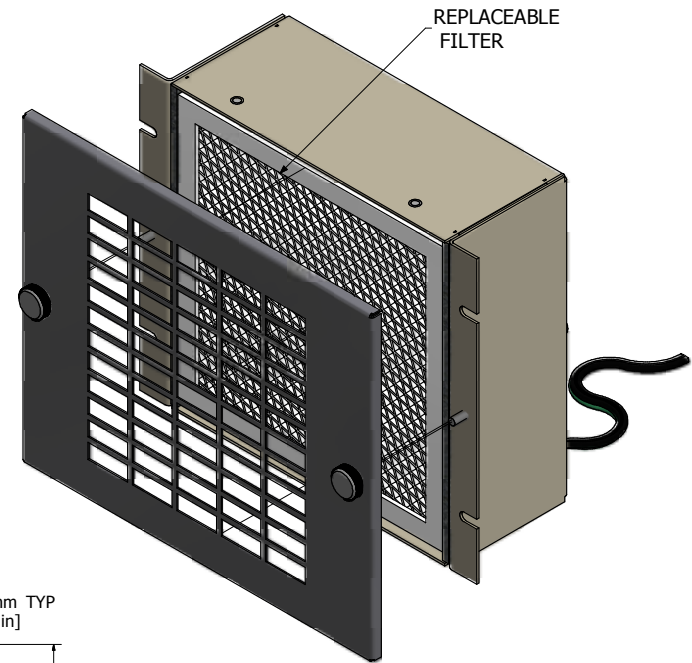


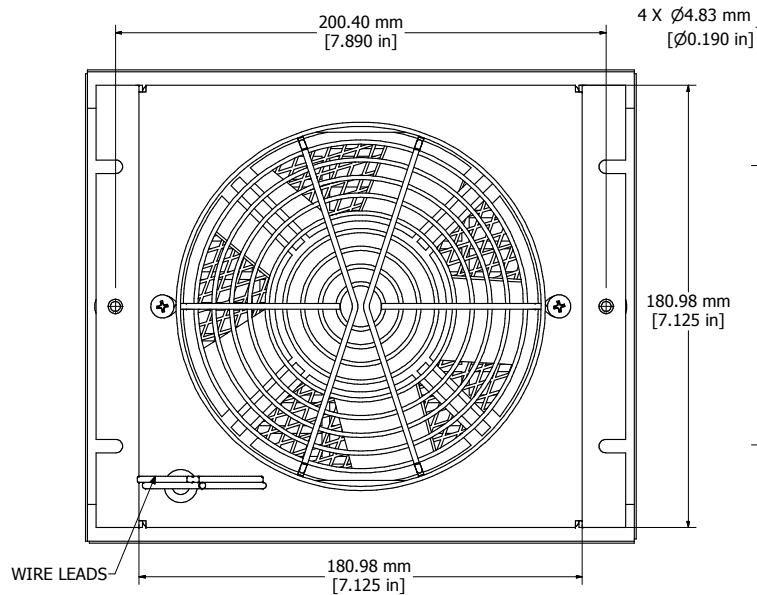
ASSEMBLY - VIEW FROM FRONT



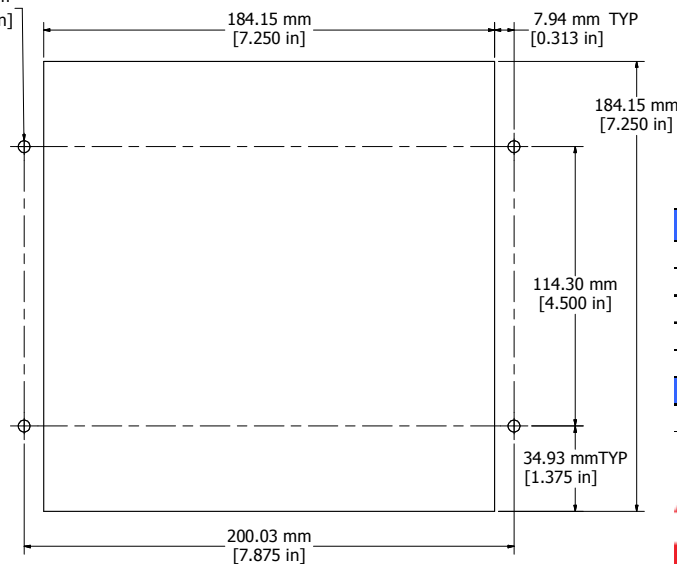
ASSEMBLY - VIEW FROM SIDE



EXPLODED ASSEMBLY VIEW



ASSEMBLY - VIEW FROM BACK



FAN BOX CUTOUT

<b>XF6115 &amp; XF6230</b>
Finish - Front Screen - Polished Stainless Steel
- Case - Painted Grey Steel
Rated - 115 VAC, 50/60 Hz, 0.54 Amps
- 230 VAC, 50/60 Hz, 0.28 Amps
Free Flow Air Delivery - 220 CFM
<b>ACCESSORIES</b>
Replacement Filter - XFF6 (Package of 3)

