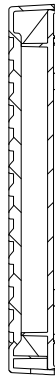
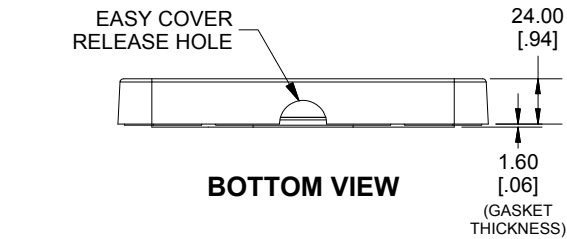


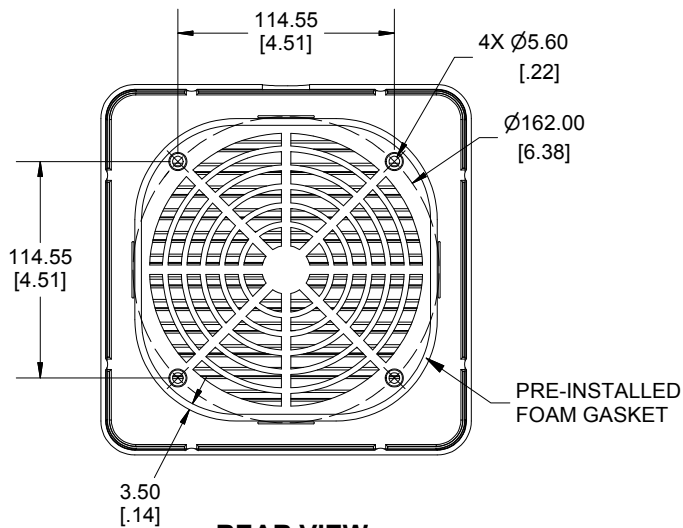
**FRONT VIEW**



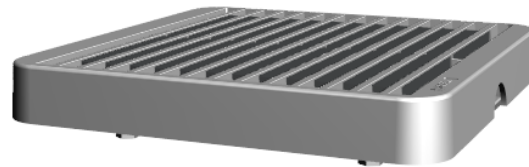
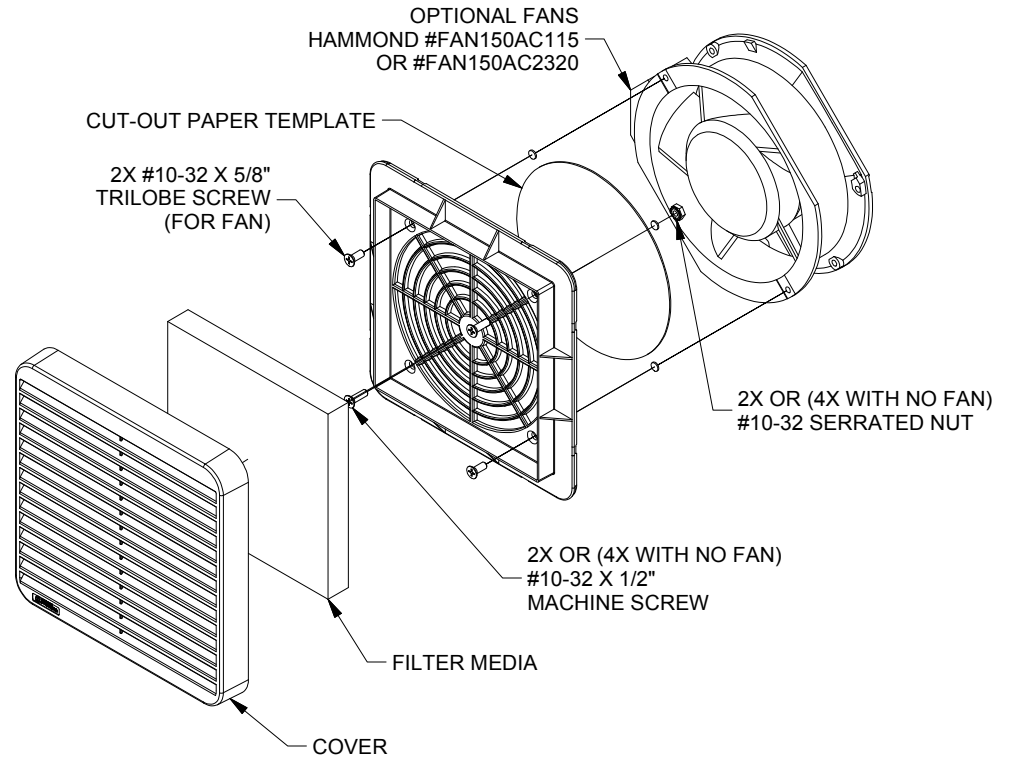
**SECTION A-A  
SIDE VIEW**



**BOTTOM VIEW**



**REAR VIEW**



Enclosures can be Factory Modified ( Milling, Drilling, Printing etc.)  
 Contact Factory [mjm@hammondmfg.com](mailto:mjm@hammondmfg.com) for quotes  
 Solid models of this enclosure available in STEP or IGES.

**NOTE**

Purchased assembly includes snap-together Cover and Base (FRABS UL94-V0), foam EVA gasket, stainless steel mounting hardware, and filter

**PART NUMBERS**

XPFA150 Filter Fan Grill	
Black	XPFA150BK
Beige - RAL7032	XPFA150CG
Gray - ANSI 61	XPFA150GY
Light Gray - RAL7035	XPFA150LG
Accessories	
Standard Filter Media (Pkg of 5)	PFF4000
Pleated Filter Media (Pkg of 5)	PLFF4000

**HAMMOND  
MANUFACTURING**

**XPFA150**

[www.hammondmfg.com](http://www.hammondmfg.com)

Dimensions:  
mm  
[inches]