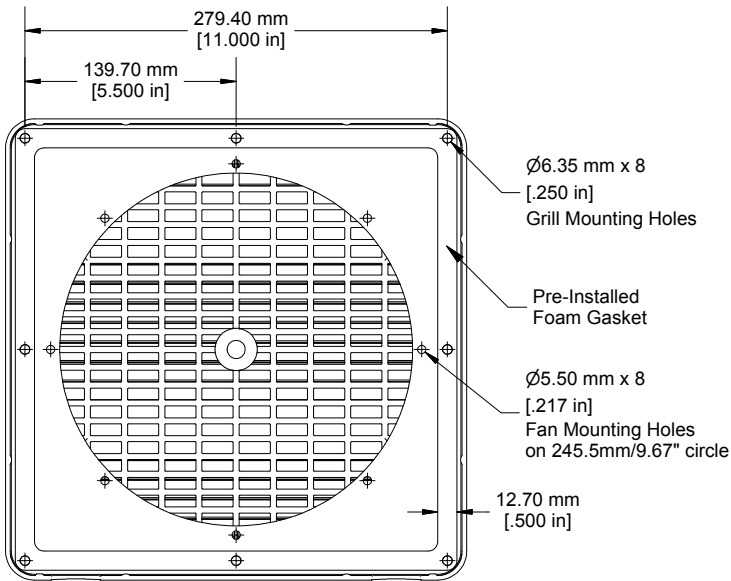


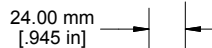
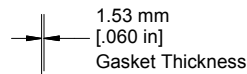
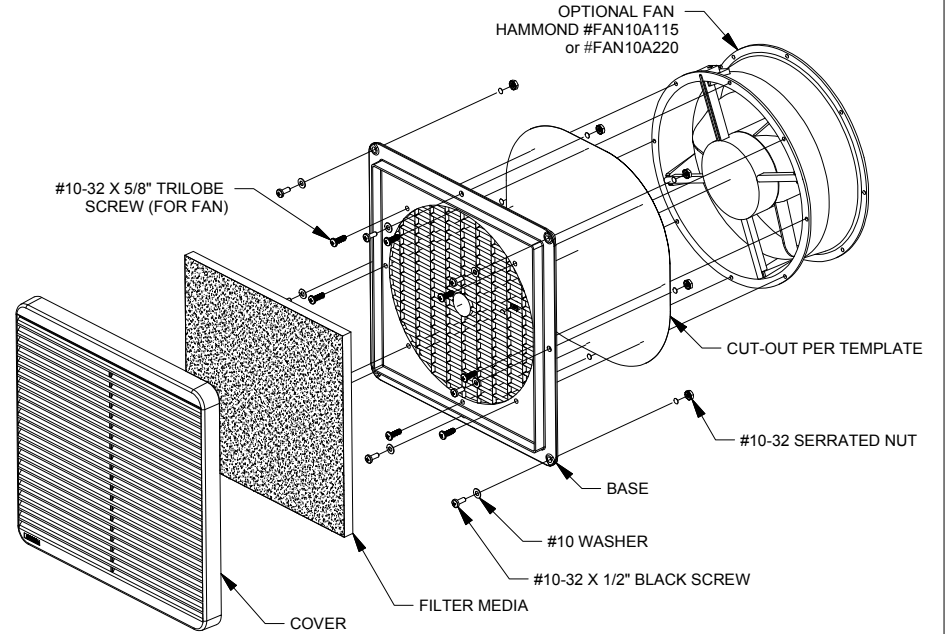
**Front View of Assembly**



**Bottom View of Assembly**



**Rear View of Assembly**



**Side View of Assembly**

**NOTE**

Purchased assembly includes snap-together Cover and Base (FRABS UL94-V0), foam EVA gasket, stainless steel mounting hardware, filter media and installation template.

**PART NUMBERS**

XPFA254 Filter Fan Grill	
Black	XPFA254BK
Beige - RAL 7032	XPFA254CG
Gray - ANSI 61	XPFA254GY
Light Gray - RAL7035	XPFA254LG
Accessories	
Standard Filter Media (Pkg of 5)	PFF6000
Pleated Filter Media (Pkg of 5)	PLFF6000



**HAMMOND  
MANUFACTURING™**

**XPFA254**

www.hammondmfg.com